

ASCD12-100W4 ()**
ASCD12-150W4 ()**
ASCD12-150W8 ()**
ASCD18-200W4 ()**
ASCD18-300W2 ()**
ASCD18-1000W34 ()**

7 115 ...
7 115 ...
7 115 ...
7 115 ...
7 115 ...
7 115 ...

en

Instruction Manual

**fr**

Mode d'emploi


**es**

Instrucciones de uso



For your safety.

⚠ WARNING **Read all safety warnings, instructions, illustrations and specifications provided with this power tool.** Failure to follow all instructions listed below may result in electric shock, fire and/or serious injury. **Save all warnings and instructions for future reference.**

 Do not use this power tool before you have thoroughly read and completely understood this Instruction Manual, including the figures, specifications, safety regulations and the signs indicating DANGER, WARNING and CAUTION.

Only carry out such operations with this power tool as intended for by FEIN. Only use application tools and accessories that have been released by FEIN.

Please also observe the relevant national industrial safety regulations.

Non-observance of the safety instructions in the said documentation can lead to an electric shock, burns and/or severe injuries.

This Instruction Manual should be kept for later use and enclosed with the power tool, should it be passed on or sold.

SAVE THESE INSTRUCTIONS.

The term “power tool” in the warnings refers to your mains-operated (corded) power tool or battery operated (cordless) power tool.

General Power Tool Safety Warnings.

1) Work area safety

- a) **Keep work area clean and well lit.** Cluttered or dark areas invite accidents.
- b) **Do not operate power tools in explosive atmospheres, such as in the presence of flammable liquids, gases or dust.** Power tools create sparks which may ignite the dust or fumes.
- c) **Keep children and bystanders away while operating a power tool.** Distractions can cause you to lose control.

2) Electrical safety

- a) **Power tool plugs must match the outlet. Never modify the plug in any way. Do not use any adapter plugs with earthed (grounded) power tools.** Unmodified plugs and matching outlets will reduce risk of electric shock.
- b) **Avoid body contact with earthed or grounded surfaces, such as pipes, radiators, ranges and refrigerators.** There is an increased risk of electric shock if your body is earthed or grounded.
- c) **Do not expose power tools to rain or wet conditions.** Water entering a power tool will increase the risk of electric shock.
- d) **Do not abuse the cord. Never use the cord for carrying, pulling or unplugging the power tool. Keep cord away from heat, oil, sharp edges or moving parts.** Damaged or entangled cords increase the risk of electric shock.
- e) **When operating a power tool outdoors, use an extension cord suitable for outdoor use.** Use of a cord suitable for outdoor use reduces the risk of electric shock.
- f) **If operating a power tool in a damp location is unavoidable, use a residual current device (RCD) protected supply.** Use of an RCD reduces the risk of electric shock.

3) Personal safety

- a) **Stay alert, watch what you are doing and use common sense when operating a power tool. Do not use a power tool while you are tired or under the influence of drugs, alcohol or medication.** A moment of inattention while operating power tools may result in serious personal injury.
- b) **Use personal protective equipment. Always wear eye protection.** Protective equipment such as a dust mask, non-skid safety shoes, hard hat or hearing protection used for appropriate conditions will reduce personal injuries.

- c) **Prevent unintentional starting. Ensure the switch is in the off-position before connecting to power source and/or battery pack, picking up or carrying the tool.** Carrying power tools with your finger on the switch or energising power tools that have the switch on invites accidents.
 - d) **Remove any adjusting key or wrench before turning the power tool on.** A wrench or a key left attached to a rotating part of the power tool may result in personal injury.
 - e) **Do not overreach. Keep proper footing and balance at all times.** This enables better control of the power tool in unexpected situations.
 - f) **Dress properly. Do not wear loose clothing or jewellery. Keep your hair and clothing away from moving parts.** Loose clothes, jewellery or long hair can be caught in moving parts.
 - g) **If devices are provided for the connection of dust extraction and collection facilities, ensure these are connected and properly used.** Use of dust collection can reduce dust-related hazards.
 - h) **Do not let familiarity gained from frequent use of tools allow you to become complacent and ignore tool safety principles.** A careless action can cause severe injury within a fraction of a second.
- 4) Power tool use and care**
- a) **Do not force the power tool. Use the correct power tool for your application.** The correct power tool will do the job better and safer at the rate for which it was designed.
 - b) **Do not use the power tool if the switch does not turn it on and off.** Any power tool that cannot be controlled with the switch is dangerous and must be repaired.
 - c) **Disconnect the plug from the power source and/or remove the battery pack, if detachable, from the power tool before making any adjustments, changing accessories, or storing power tools.** Such preventive safety measures reduce the risk of starting the power tool accidentally.
 - d) **Store idle power tools out of the reach of children and do not allow persons unfamiliar with the power tool or these instructions to operate the power tool.** Power tools are dangerous in the hands of untrained users.
 - e) **Maintain power tools and accessories. Check for misalignment or binding of moving parts, breakage of parts and any other condition that may affect the power tool's operation. If damaged, have the power tool repaired before use.** Many accidents are caused by poorly maintained power tools.
 - f) **Keep cutting tools sharp and clean.** Properly maintained cutting tools with sharp cutting edges are less likely to bind and are easier to control.
 - g) **Use the power tool, accessories and tool bits etc. in accordance with these instructions, taking into account the working conditions and the work to be performed.** Use of the power tool for operations different from those intended could result in a hazardous situation.
 - h) **Keep handles and grasping surfaces dry, clean and free from oil and grease.** Slippery handles and grasping surfaces do not allow for safe handling and control of the tool in unexpected situations.
- 5) Battery tool use and care**
- a) **Recharge only with the charger specified by the manufacturer.** A charger that is suitable for one type of battery pack may create a risk of fire when used with another battery pack.
 - b) **Use power tools only with specifically designated battery packs.** Use of any other battery packs may create a risk of injury and fire.

- c) **When battery pack is not in use, keep it away from other metal objects, like paper clips, coins, keys, nails, screws or other small metal objects, that can make a connection from one terminal to another.** Shorting the battery terminals together may cause burns or a fire.
- d) **Under abusive conditions, liquid may be ejected from the battery; avoid contact. If contact accidentally occurs, flush with water. If liquid contacts eyes, additionally seek medical help.** Liquid ejected from the battery may cause irritation or burns.
- e) **Do not use a battery pack or tool that is damaged or modified.** Damaged or modified batteries may exhibit unpredictable behaviour resulting in fire, explosion or risk of injury.
- f) **Do not expose a battery pack or tool to fire or excessive temperature.** Exposure to fire or temperature above 130 °C may cause explosion.
- g) **Follow all charging instructions and do not charge the battery pack or tool outside the temperature range specified in the instructions.** Charging improperly or at temperatures outside the specified range may damage the battery and increase the risk of fire.
- 6) **Service**
- a) **Have your power tool serviced by a qualified repair person using only identical replacement parts.** This will ensure that the safety of the power tool is maintained.
- b) **Never service damaged battery packs.** Service of battery packs should only be performed by the manufacturer or authorized service providers.

Special safety instructions.

Hold the power tool by the insulated gripping surfaces when performing operations where the screw could contact hidden wires. Contact of the screw with a “live” wire will also make exposed metal parts of the power tool “live” and shock the operator.

Beware of any concealed electric cables, gas or water conduits. Check the working area before commencing work, e. g. with a metal detector.



Use ear protection during operation.

Wear personal protective equipment. Depending on application, use a face shield, safety goggles or safety glasses. As appropriate, wear dust mask, hearing protectors, gloves and workshop apron capable of stopping small abrasive or work piece fragments. The eye protection must be capable of stopping flying debris generated by various operations. The dust mask or respirator must be capable of filtering particles generated by your operation. Prolonged exposure to high intensity noise may cause hearing loss.

Secure the work piece firmly. A work piece that is gripped tightly in a clamping device or vice, is more secure than if held by hand.

Hold the power tool firmly. High reaction torque can briefly occur.

Do not work materials containing magnesium. Danger of fire.

Do not work CFP (carbon-fiber-reinforced polymer) and materials containing asbestos. These materials are considered carcinogenic.

Do not rivet or screw any name-plates or signs onto the power tool. If the insulation is damaged, protection against an electric shock will be ineffective. Adhesive labels are recommended.

Do not use accessories which are not specifically designed and recommended by the power tool manufacturer. Safe operation is not ensured merely because an accessory fits your power tool.

Ensure that the accessory is securely fastened each time before using. When using a square drive with drill hole, the accessory must additionally be positively locked. Loose or not securely fastened accessories can become loose or be thrown off.

Clean the ventilation openings on the power tool at regular intervals using non-metal tools. The blower of the motor draws dust into the housing. An excessive accumulation of metallic dust can cause an electrical hazard.

Never look or stare into the light of the power tool's lamp from a short distance. Never point the light of the lamp into the eyes of other persons in close vicinity. The radiation produced by the lamp can be harmful for the eye.

Do not direct the power tool against yourself, other persons or animals. Danger of injury from sharp or hot application tools.

Switch the power tool off immediately when the application tool blocks. Do not switch the power tool on again while the application tool is blocked; this could lead to kickback with high reaction torque. Determine and correct the cause of the blockage of the application tool, taking the safety warnings into account.

Possible causes could be:

- Jamming in the workpiece
- Breaking through the material being worked
- Overloading the power tool.

Use and handling of the battery (battery pack)

To avoid hazardous situations such as burns, fire, explosion, skin injuries, and other injuries when handling the battery, observe the following instructions:

Batteries must not be disassembled, opened or reduced in size. Do not subject batteries to mechanical impact or shock. Hazardous vapours and fluid can escape in case of damage and improper use of the battery. The vapours can irritate the respiratory system. Liquid ejected from the battery may cause skin irritations or burns.

When battery fluid from a damaged battery has come into contact with objects close by, check the respective components, clean them or replace them as required.

Keep the battery away from heat and fire. Do not store the battery in direct sunlight.

Do not remove the battery from its original packaging until it is going to be used.

Before any work on the machine itself, remove the battery from the power tool. If the power tool accidentally starts, there is danger of injury.

Mount the battery only when the power tool is switched off.

Remove the battery only when the power tool is switched off.

Keep the battery away from children.

Keep the battery clean and protect it against moisture and water. Clean contaminated battery terminals and power tool connections with a dry, clean cloth.

Use only intact original FEIN batteries that are intended for your power tool. When working with and charging incorrect, damaged, repaired or reconditioned batteries, imitations or other brands, there is danger of fire and/or explosion.

Follow the safety warnings in the operating instructions of the battery charger.

Handling hazardous dusts.

⚠ WARNING When working with power tools, such as when grinding, sanding, polishing, sawing or for other work procedures where material is removed, dusts develop that are both hazardous to one's health and can spontaneously combust or be explosive.

Contact with or inhaling some dust types can trigger allergic reactions to the operator or bystanders and/or lead to respiratory infections, cancer, birth defects or other reproductive harm.

Examples of such materials which contain chemicals that can produce hazardous dusts, are:

- Asbestos and materials containing asbestos;
- Lead-containing coatings, some wood types such as beech and oak;
- Minerals and metal;
- Silicate particles from bricks, concrete and other materials containing stone;
- Solvent from solvent-containing paint/varnish;
- Arsenic, chromium and other wood preservatives;
- Materials for pesticide treatment on boat and ship hulls;
- Stainless steel dust, metal dust and non-ferrous metal dust;

To minimize the unwanted intake of these materials:

- Use dust extraction matched appropriately for the developing dust.
- Use personal protective equipment, such as a P2 filter-class dust protection mask.
- Provide for good ventilation of the workplace.

The risk from inhaling dusts depends on how often these materials are worked. Materials containing asbestos may only be worked on by specialists.

⚠ CAUTION Wood and light-metal dust can cause spontaneous combustion or explosions.

Hot mixtures of sanding dust and paint/varnish remainders or other chemical materials in the filter bag or the vac filter can self-ignite under unfavorable conditions, such as sparking from sanding metal, continuous sunlight or high ambient temperatures. To prevent this:

- Avoid overheating the material being sanded and the power tool.
- Empty the dust collector/container in time.
- Observe the material manufacturer's working instructions.
- Observe the relevant regulations in your country for the materials being worked.

Hand/arm vibrations.

⚠ WARNING While working with this power tool, hand/arm vibrations

occur. These can lead to health impairments.

⚠ WARNING The vibration emission value during actual use of the power tool can differ from the declared value depending on the ways in which the tool is used.

⚠ WARNING It is necessary to identify safety measures to protect the operator that are based on an estimation of exposure in the actual conditions of use.

The vibration emission level given in this information sheet has been measured in accordance with a standardized test given in EN 62841 and may be used to compare one tool with another. It may be used for a preliminary assessment of the vibrational impact. The declared vibration emission level repre-

sents the main applications of the power tool. However, if the power tool is used for other applications with different accessories or poorly maintained, the vibration emission may differ. This may significantly increase the vibrational impact over the total working period.

An estimation of the level of exposure to vibration should also take into account the times when the tool is switched off or when it is running but not actually doing the job. This may significantly reduce the vibrational load over the total working period.

Identify additional safety measures to protect the operator from the effects of vibration such as: Maintain the power tool and the accessories, keep the hands warm, organization of work patterns.

Emission values for sound and vibration (Two-figure – specifications as per ISO 4871)

Sound emission	ASCD12- 100W4 (**)	ASCD12- 150W4 (**)	ASCD12- 150W8 (**)	ASCD18- 200W4 (**)	ASCD18- 300W2 (**)	ASCD18- 1000W34 (**)
A-weighted emission pressure power level measured at the workplace L_{pA} (re 20 μPa), in decibels	93.8	91.5	90.2	93.8	96.1	93.6
Measuring uncertainty K_{pA} in decibels	3	3	3	3	3	3
Measured A-weighted sound power level L_{wA} (re 1 pW), in decibels	104.8	102.5	101.2	104.8	107.1	104.6
Measuring uncertainty K_{wA} in decibels	3	3	3	3	3	3
C-weighted peak sound pressure level measured at the workplace L_{pCpeak} in decibels	112.0	111.7	113.7	114.5	118.2	119.5
Measuring uncertainty K_{pCpeak} in decibels	3	3	3	3	3	3

Sound emission	ASCD12- 100W4 (**)	ASCD12- 150W4 (**)	ASCD12- 150W8 (**)	ASCD18- 200W4 (**)	ASCD18- 300W2 (**)	ASCD18- 1000W34 (**)
----------------	--------------------------	--------------------------	--------------------------	--------------------------	--------------------------	----------------------------

Vibrations

Arithmetic mean
value of the vibration
total values

- ft/s ²	47.4	31.8	29.8	42.3	52.8	42.3
- m/s ²	14.5	9.7	9.1	12.9	16.1	12.9

Measuring uncer-
tainty K , in

- ft/s ²	4.9	4.9	4.9	4.9	4.9	4.9
- m/s ²	1.5	1.5	1.5	1.5	1.5	1.5

REMARK: The sum of the measured emission value and respective measuring inaccuracy represents the upper limit of the values that can occur during measuring.
























Wear hearing protection!





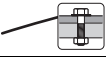
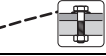
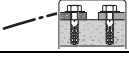
Measured values determined in accordance with the corresponding product standard.

Intended use of the power tool:

Hand-held impact wrench for screwing in and unscrewing screws and nuts in weather-protected environments without water supply using the application tools and accessories recommended by FEIN.

Symbols.

Symbol, character	Explanation
	Do not touch the rotating parts of the power tool.
	Make sure to read the enclosed documents such as the Instruction Manual and the General Safety Instructions.
	Observe the instructions in the text or graphic opposite!
	General prohibition sign. This action is prohibited.
	Before commencing this working step, remove the battery from the power tool. Otherwise there may be danger of injury caused by unintentional starting of the power tool.
	Use eye protection during operation.
	Use ear protection during operation.
	Use protective gloves during operation.
	Do not charge damaged batteries.
	Keep the battery away from fire. Protect the battery against heat, e. g. against continuous intense sunlight.
	Observe the notes in the text aside!
	Switching on
	Switching off
	This symbol confirms the certification of this product for the USA and Canada.
	Confirms the conformity of the power tool with the guidelines of the European Community.
	This sign warns of a directly imminent, dangerous situation. A false reaction can cause a severe or fatal injury.
	This sign indicates a possible dangerous situation that could cause severe or fatal injury.
	This sign warns of a possible dangerous situation that could cause injury.
	Recycling code: identifies recyclable materials
	Worn out power tools and other electrotechnical and electrical products should be sorted separately for environmentally-friendly recycling.
	Battery type

Symbol, character	Explanation
	Charger type
	Low speed
	High speed
	Caution: Do not look or stare into the switched-on lamp!
	Torque gradient for applications with hard backing, e. g., screws with nuts and washers (dependent of screw diameter and strength)
	Torque gradient for resilient applications, e. g., wheel rims, spring washers, disc springs, stud bolts, extensions
	Torque gradient for applications with soft backing, e.g., wood (dependent of screw diameter and length), lead or fibre discs
*	The power tool can additionally be operated with deviating performance data in the 12 V and 14.4 V voltage classes.
(**)	may contain numbers and letters
***	Partially in delivery scope
(Ax – Zx)	Marking for internal purposes

Character	Unit of measurement, national	Explanation
n_0	rpm; /min; min^{-1} ; r/min	No-load speed (with fully charged battery)
P	W	Electrical power
	°	Angle width
U	V ₋₋₋	Electric voltage
f	Hz	Frequency
I	A	Electric current intensity
m	kg, lbs	Mass
l	ft, in	Length, width, height, depth, diameter or thread
\varnothing	ft, in	Diameter of a round part
$K...$		Uncertainty
a	m/s^2	Vibrational emission value according to EN 62841 (vector sum of three directions)
	m, s, kg, A, mm, V, W, Hz, N, °C, dB, min, m/s^2	Basic and derived units of measurement from the international system of units SI .

Technical description and specifications.

⚠ WARNING Before mounting or replacing application tools or accessories, remove the battery. This preventive safety measure rules out the danger of injuries through accidental starting of the power tool.

Not all accessories described or shown in this instruction manual will be included with your power tool.

Fig. 1

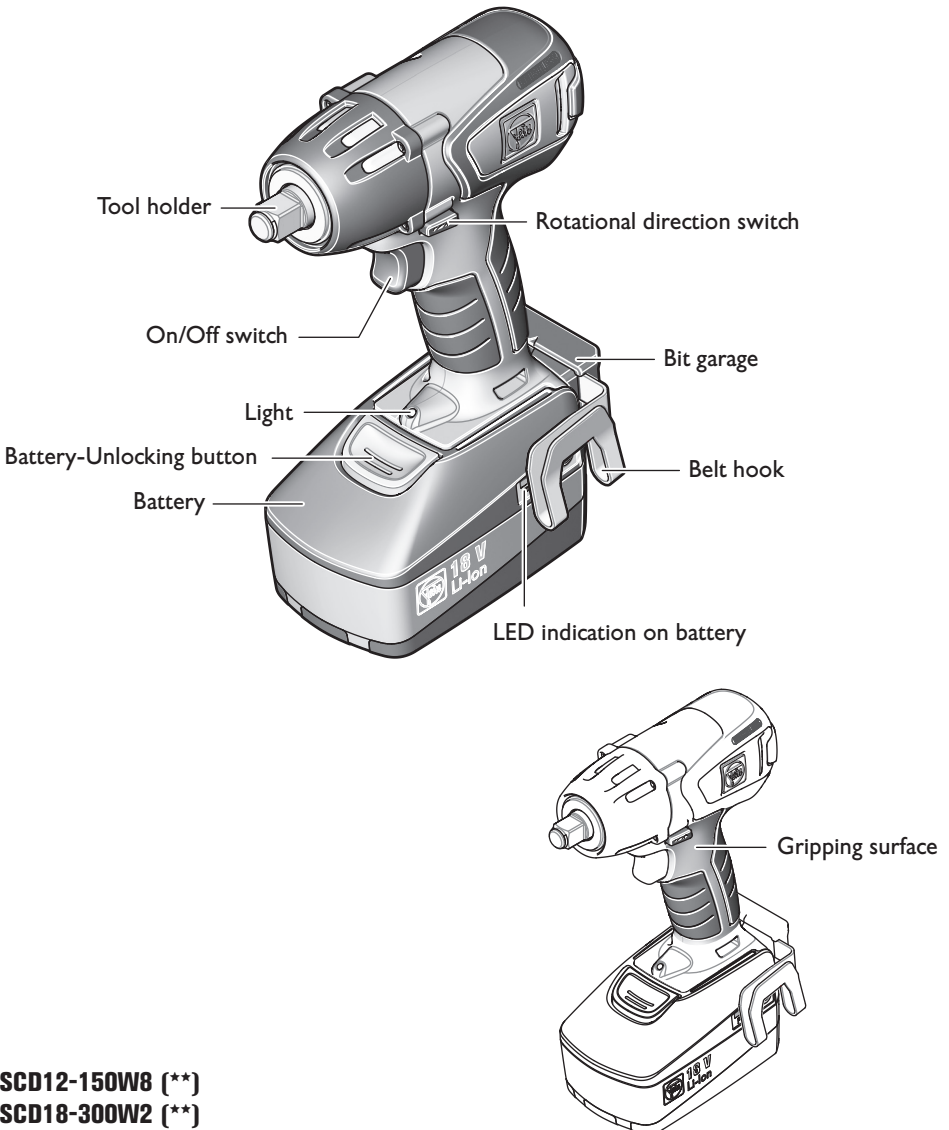
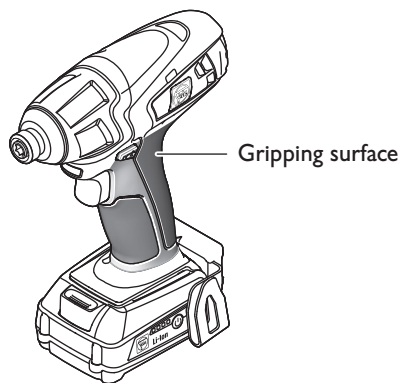
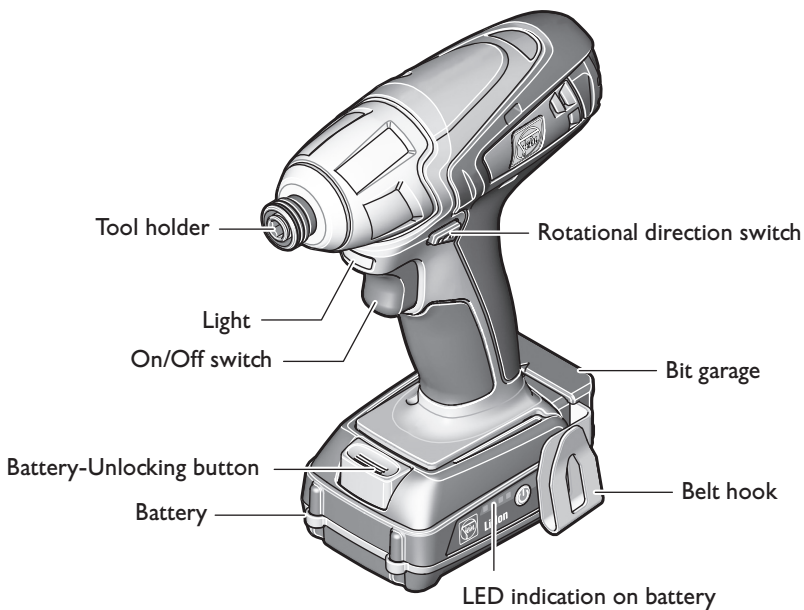
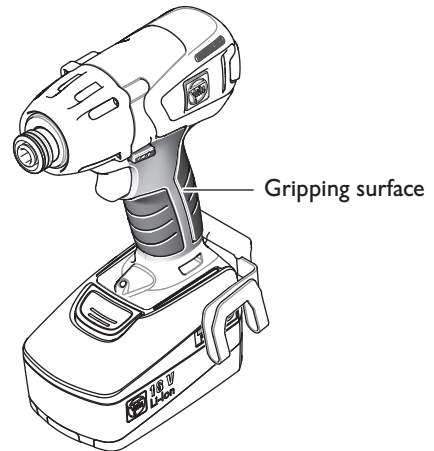
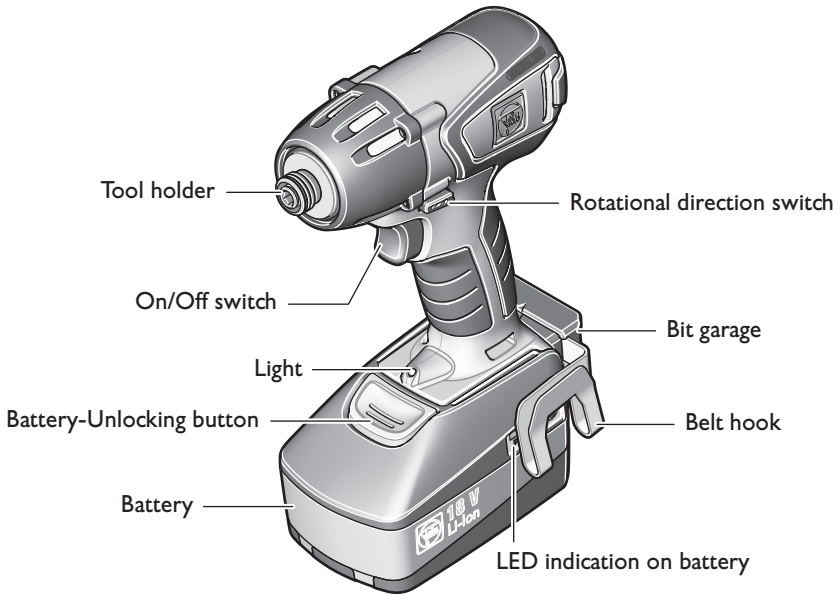


Fig. 2



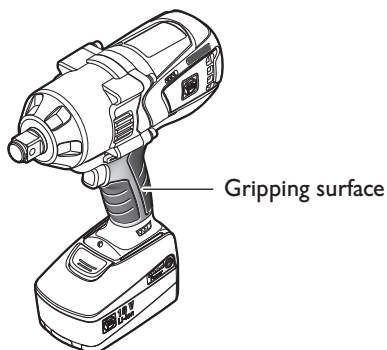
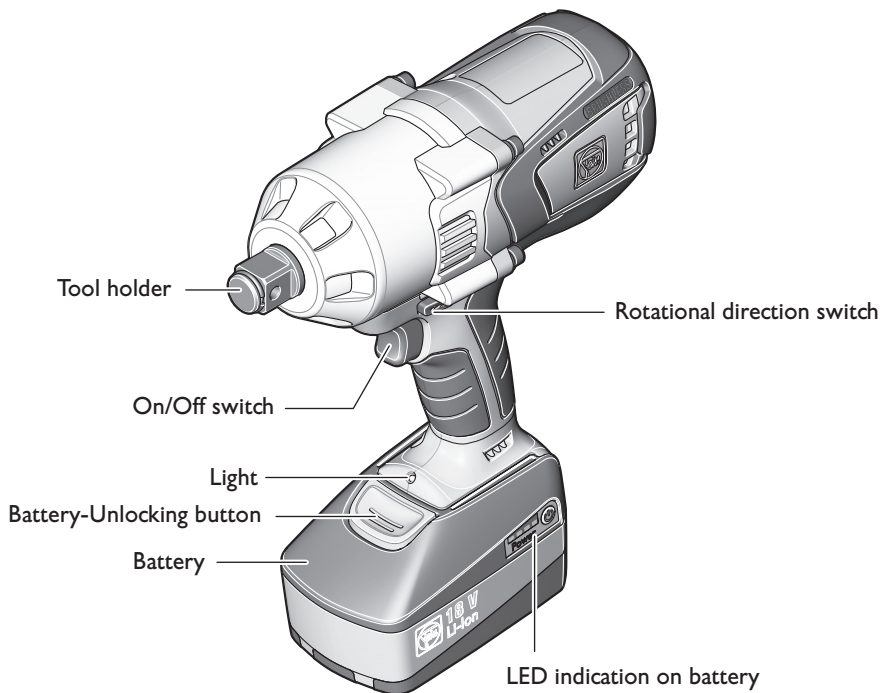
ASCD12-100W4 ()**

Fig. 3






ASCD12-150W4 ()**
ASCD18-200W4 ()**

Fig. 4



ASCD18-1000W34 ()**

Type	ASCD12-100W4 (**)	ASCD12-150W4 (**)	ASCD12-150W8 (**)	ASCD18-200W4 (**)	ASCD18-300W2 (**)	ASCD18-1000W34 (**)
Order number	7 115 ...	7 115 ...	7 115 ...	7 115 ...	7 115 ...	7 115 ...
Rated voltage	12 V ⁻⁻⁻	12 V ⁻⁻⁻	12 V ⁻⁻⁻	18 V ⁻⁻⁻ *	18 V ⁻⁻⁻ *	18 V ⁻⁻⁻ *
No-load speed	0–2700 /min	0–1700 /min	0–1800 /min	0–1500 /min	0–1700 /min	0–1800 /min
Impact rate	0–3450 /min	0–3400 /min	0–3600 /min	0–3000 /min	0–3400 /min	0–2200 /min
Torque (hard/soft screwdriving application)	74 ft-lbs/ 100 Nm	100 ft-lbs/ 135 Nm	100 ft-lbs/ 135 Nm	155 ft-lbs/ 210 Nm	214 ft-lbs/ 290 Nm	780 ft-lbs/ 1050 Nm
Hexagon socket tool holder						
External square tool holder	1/4"○	1/4"○	3/8"■	1/4"○	1/2"■	3/4"■
Weight according to EPTA-Procedure 01 (power tool without battery and application tool)	1.98 lbs (0.9 kg)	1.87 lbs (0.85 kg)	1.87 lbs (0.85 kg)	2.20 lbs (1.0 kg)	2.20 lbs (1.0 kg)	6.61 lbs (3.0 kg)

Type	B12A	B18A	B18A
			
Battery type	Lithium ion (Li ion)	Lithium ion (Li ion)	Lithium ion (Li ion)
Rated voltage	12 V ⁻⁻⁻	18 V ⁻⁻⁻	18 V ⁻⁻⁻
Weight according to EPTA-Procedure 01 (Battery)	0.55 lbs (0.25 kg)	1.00 lbs (0.45 kg)	1.54 lbs (0.70 kg)
Charger type		ALG 30, ALG 50, ALG 80 (**)	

Assembly instructions.

⚠ WARNING Before mounting or replacing application tools or accessories, remove the battery. This preventive safety measure rules out the danger of injuries through accidental starting of the power tool.

Removing and charging the battery (figure 5).

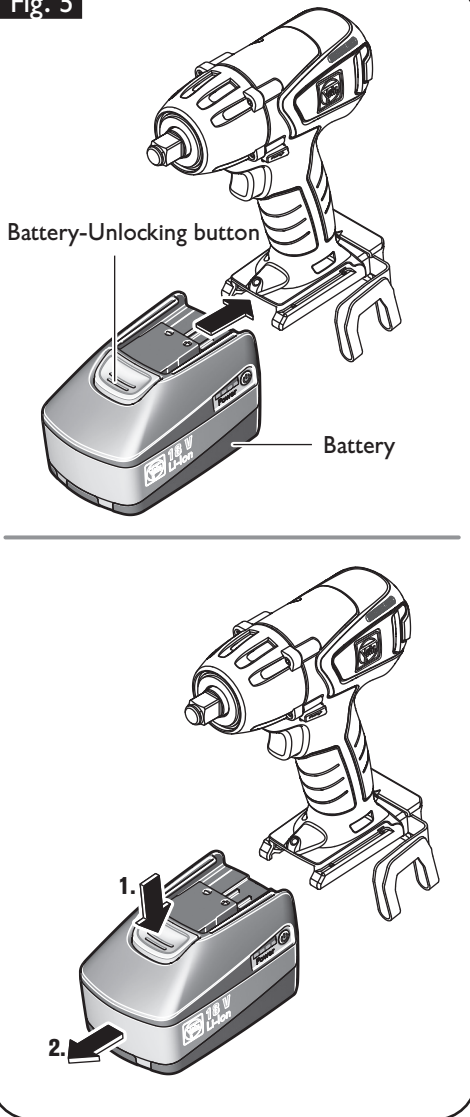
- ❗ Prior to the first charging procedure, read the operating instructions of the battery charger.
- ❗ Charge the battery completely before putting into operation for the first time.

Release the battery by pressing the battery-unlocking button and pull the battery out of the handle. Do not exert any force when doing this.

Connect the battery charger to a socket outlet, slide the battery onto the battery charger and charge the battery. After the charging process is over, insert the battery into the power tool and pull the plug of the battery charger out of the socket outlet.

A new battery does not reach its full capacity until after several charging and discharging procedures.

Fig. 5



Handling the battery.

Store, operate and charge the battery only using FEIN battery chargers within the operating-temperature range between 5°C – 45°C (41°F – 113°F). At the beginning of the charging procedure, the battery temperature must be within the battery operating-temperature range.

Battery charge-control indicator (figure 6).

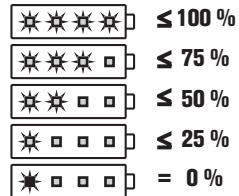
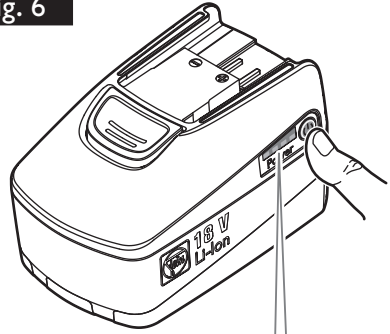
Press the button to activate the LED indication.

LED indicator	Meaning	Activity
1 – 4 green LED	Percentage of charge condition	Operation
Continuous red light	Battery is almost empty	Charge battery
Red flashing light	Battery is not ready for operation	Bring the battery into the battery operating-temperature range, then charge

The real percentage of the battery charge condition is only indicated when the power tool motor is stopped.

The electronics automatically switch off the motor prior to the battery being deep discharged.

Fig. 6



Mounting the belt hook and the bit garage

ASCD12-100W4 (**)

ASCD12-150W4 (**)

ASCD12-150W8 (**)

ASCD18-300W2 (**)

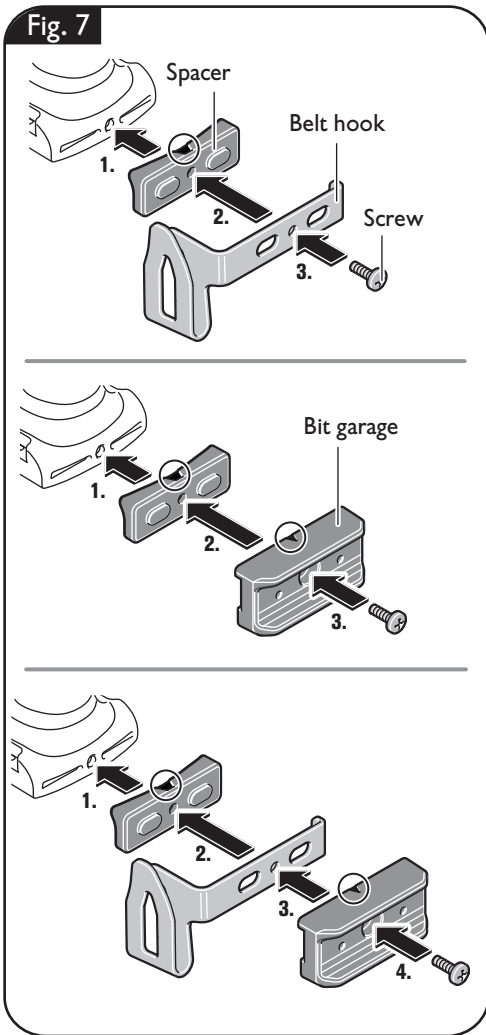
ASCD18-300W4 (**)

(figure 7).

To mount the belt hook, fit the spacer as well as the belt hook to the tool and fasten both with the screw.

To mount the bit garage, fit the spacer as well as the bit garage to the tool and fasten both with the screw.

To mount the belt hook together with the bit garage, fit the spacer, the belt hook and the bit garage to the tool and fasten all parts with the screw.



Changing the tool

⚠ WARNING Before mounting or replacing application tools or accessories, remove the battery. This preventive safety measure rules out the danger of injuries through accidental starting of the power tool.

Mounting application tools (figure 8).

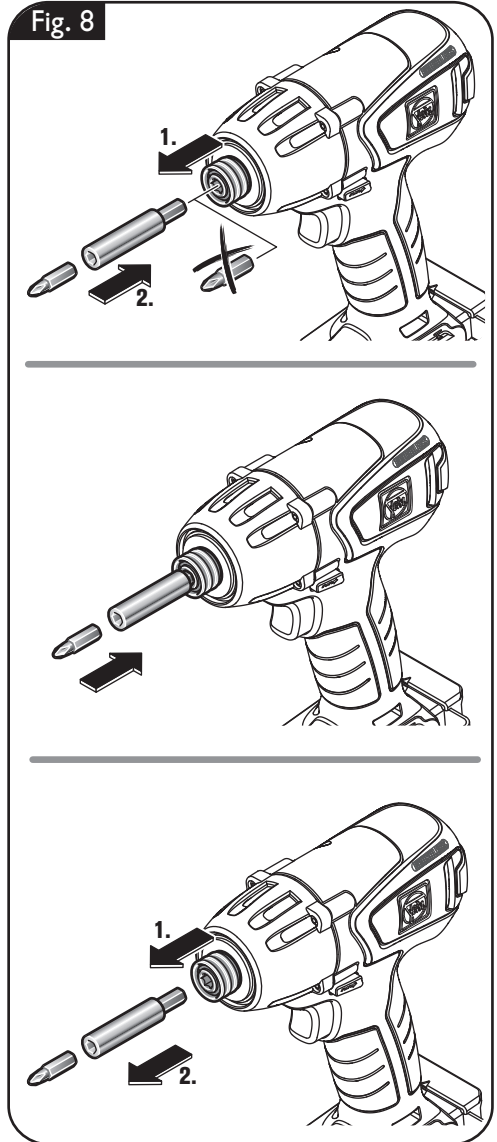
ASCD12-100W4 (**)

ASCD12-150W4 (**)

ASCD18-200W4 (**)

Slide the sleeve frontwards.

Afterwards, insert the desired application tool.



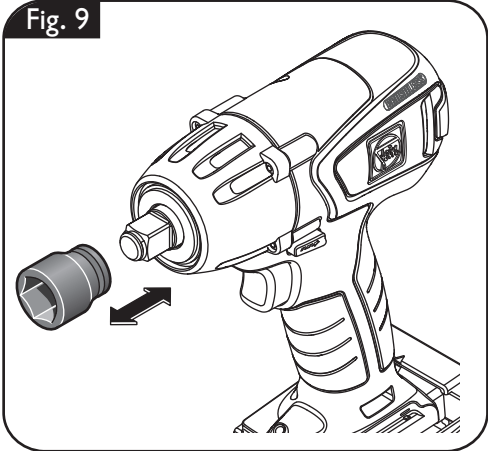
Mounting application tools (figure 9).

ASCD12-150W8 ()**

ASCD18-300W2 ()**

ASCD18-1000W34 ()**

Mount the socket completely on the square drive.



Working instructions.

⚠ WARNING Before mounting or replacing application tools or accessories, remove the battery. This preventive safety measure rules out the danger of injuries through accidental starting of the power tool.

Do not use accessories not specifically intended and recommended for this power tool by FEIN. The use of non-original FEIN accessories can lead to overheating of the power tool and destroy it.

⚠ CAUTION For each job, use only the FEIN application tool released and intended for the respective application.

Setting the torque (figure 10).

ASCD12-150W4 ()**

ASCD12-150W8 ()**

ASCD18-200W4 ()**

ASCD18-300W2 ()**

ASCD18-100034W ()**

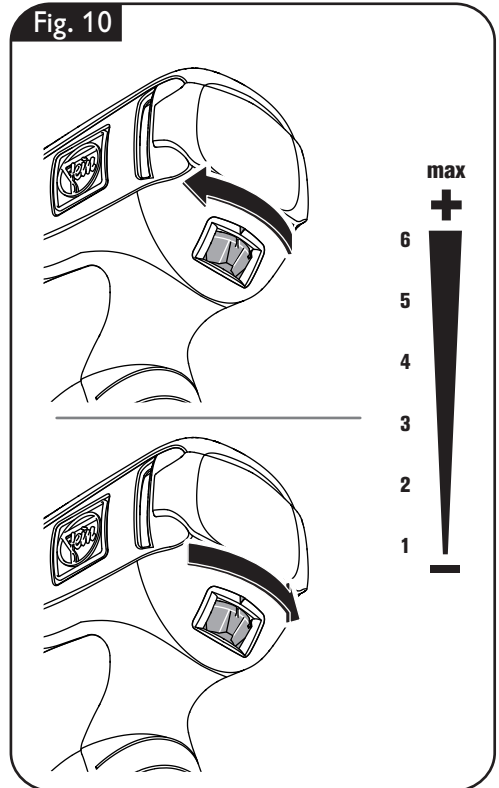
Adjust the torque only when the machine is at a complete stop.

The torque setting is for the small to mid-size screw range.

The tightening torque also depends on the force with which the power tool is pressed against the screw.

- Low torque: Small screws
- High torque: Large screws

Determine the torque setting with which the screws are screwed flush into the material by practical testing.

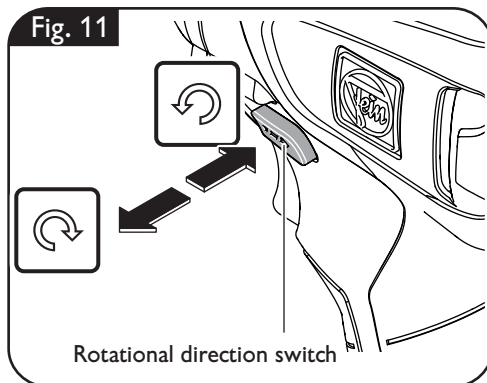


Selecting the rotation direction (figure 11).

To avoid accidental starting, e. g., during transport, set the rotation selector switch to the centre position.

Set the rotation selector switch to right or left rotation as required.

! Adjust the rotation selector switch only when the machine is at a complete stop.



Switching on and off (figure 12).

⚠ CAUTION Always hold the power tool firmly. Otherwise, you could lose control over the power tool.

⚠ WARNING Danger of burning. The application tool can become hot during operation. Allow the application tool to cool down:

- after placing the power tool down
- prior to tool changing.

In case of overload, the machine switches off.

Thermal overload of the power tool is indicated through flashing of the LED in the handle.

Apply the power tool to the nut or screw only when switched off, as a rotating application tool could slip off.

Hold the power tool perpendicular to the screw at an angle of 90° when screwing in and unscrewing.

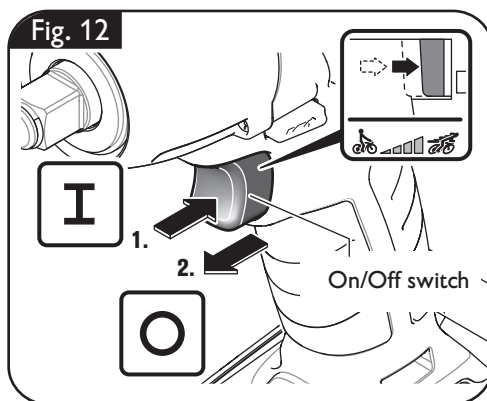
If the power tool is applied inclined, the screw head can be damaged and the force is not transferred to the screw.

Switching on:

Press the On/Off switch. The speed increases the more you press the On/Off switch.

Switching off:

To switch off the power tool, release the On/Off switch.

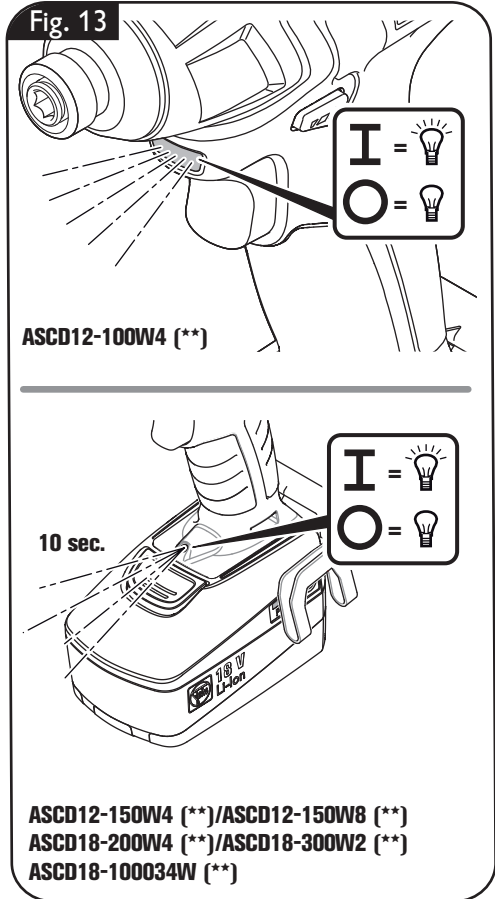


Illumination (figure 13).

⚠ WARNING Never look or stare into the light of the power tool's lamp from a short distance. Never point the light of the lamp into the eyes of other persons in close vicinity. The radiation produced by the lamp can be harmful for the eye.

When pressing the On/Off switch, the light is switched on.

After releasing the On/Off switch, the light briefly stays on and then switches off automatically.



Impact duration (figure 14).

An unnecessary long impact period increases the wear of the power tool.

Determine the impact duration for the respective screwdriving application and check the actually reached tightening torque with a torque wrench.

Orientation values for the impact duration are shown in the diagram.

Recommendation for adjustment of the impact wrench:

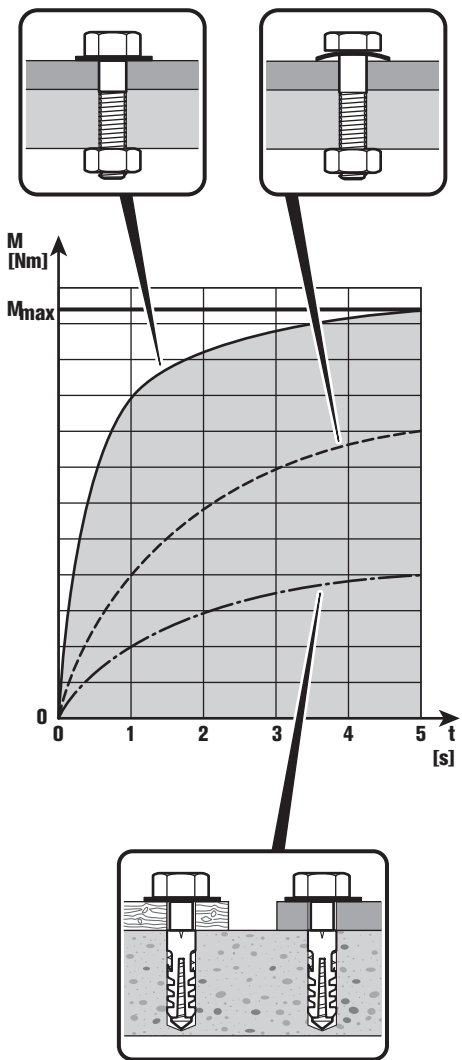
ASCD18-1000W34 (**)	
Level	Max. [ft-lbs]
6	780
5	670
4	560
3	450
2	340
1	230

ASCD18-1000W34 ():**When using a 3/4 in to 1/2 in drive adapter, operate the drive impact wrench maximal at level 3 (600 Nm).

ASCD18-300W2 (**)	
Level	Max. [ft-lbs]
6	214
5	155
4	100
3	63
2	37
1	18

ASCD12-150W8 (**)	
Level	Max. [ft-lbs]
6	100
5	63
4	37
3	18
2	7
1	4

Fig. 14



Repair and customer service.

Exchangeable parts

If required, you can change the following parts yourself:

Application tools, battery, belt hook, bit garage

Service.

⚠ WARNING Have maintenance carried out only through qualified personnel. Incorrectly mounted leads and components can cause serious injuries. Have the required service carried out only through a FEIN customer service agent.

Products that have come into contact with asbestos may not be sent in for repair. Dispose of products contaminated with asbestos according to the applicable country-specific regulations for such disposal.

The current spare parts list for this power tool can be found in the Internet at www.fein.com.

Use only original spare parts.

Cleaning.

⚠ WARNING Remove the battery prior to any maintenance and cleaning. This preventive safety measure rules out the danger of injuries through accidental starting of the power tool.

⚠ WARNING When using in environments with conductive dust in the air, such as when working metals, this dust can settle in the interior of the power tool. Therefore, regularly blow out the interior of the power tool from outside via the ventilation openings with dry, oil-free compressed air; always wear eye protection when doing this.

⚠ CAUTION Do not attempt to clean clogged or dirty ventilation openings of the power tool with pointed metal objects; use nonmetal tools or objects if necessary.

⚠ CAUTION Do not use cleaning agents and solvents that can cause damage to plastic parts. These include: Gasoline, carbon-tetrachloride, chloric solvents, ammonia and domestic cleaning agents that contain ammonia.

Warranty and liability.

The warranty for the product is valid in accordance with the legal regulations in the country where it is marketed. In addition, FEIN also provides a guarantee in accordance with the FEIN manufacturer's warranty declaration.

Not all accessories described or shown in this instruction manual will be included with your power tool.

Environmental protection, disposal.

Packaging, worn out power tools and accessories should be sorted for environmental-friendly recycling.

For further information, please contact your specialist shop.

Transport

The contained lithium-ion batteries are subject to the Dangerous Goods Legislation requirements. The user can transport the batteries by road without further requirements.

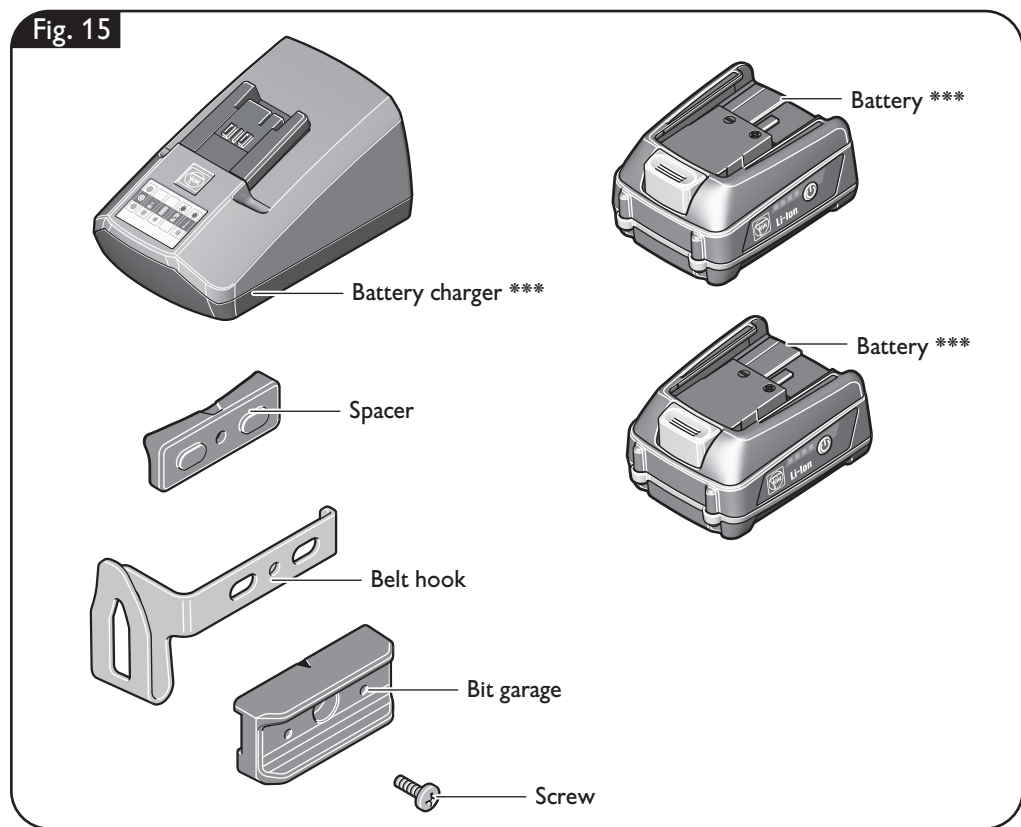
When being transported by third parties (e.g.: air transport or forwarding agency), special requirements on packaging and labelling must be observed. For preparation of the item being shipped, consulting an expert for hazardous material is required.

Dispatch batteries only when the housing is undamaged and no liquid is escaping from the battery. Make sure that the battery contacts are not short-circuited. Use the original packaging. Pack up the battery in such a manner that it cannot move around in the packaging.

Please also observe possibly more detailed national regulations.

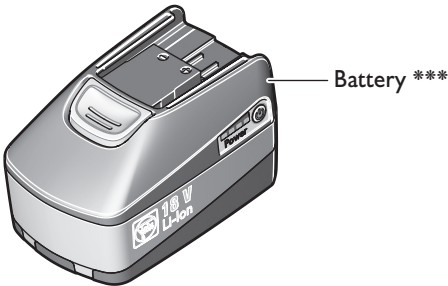
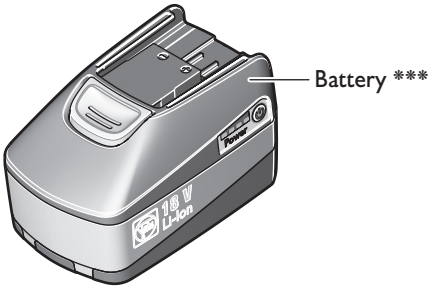
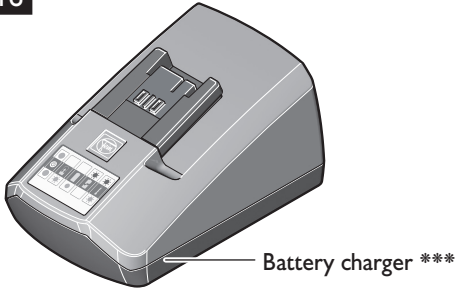
Provided accessories (figure 15).

ASCD 12... (**)



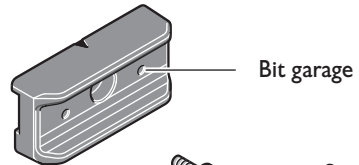
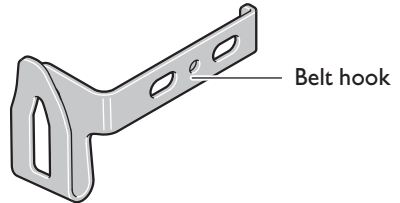
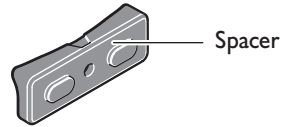
Provided accessories (figure 16). ASCD 18... (**)

Fig. 16



ASCD18-200W4 (**)

ASCD18-300W2 (**)



Pour votre sécurité.

AVERTISSEMENT

Lire tous les avertissements de sécurité, les instructions, les illustrations et les spécifications fournis avec cet outil électrique. Ne pas suivre les instructions énumérées ci-dessous peut provoquer un choc électrique, un incendie et/ou une blessure sérieuse.

Conserver tous les avertissements et toutes les instructions pour pouvoir s'y reporter ultérieurement.



Ne pas utiliser cet outil électrique avant d'avoir soigneusement lu et parfaitement compris cette notice d'utilisation y compris les figures, les spécifications, les consignes de sécurité ainsi que les indications marquées par DANGER, AVERTISSEMENT et ATTENTION.

N'utiliser cet outil électrique que pour les travaux pour lesquels il a été conçu par FEIN. N'utiliser que des outils de travail et accessoires autorisés par FEIN.

De même, respecter les dispositions concernant la prévention des accidents du travail en vigueur dans le pays en question.

Le non-respect des instructions de sécurité se trouvant dans la documentation mentionnée peut entraîner un choc électrique, un incendie et / ou de graves blessures.

Bien garder cette notice d'utilisation en vue d'une utilisation ultérieure ; elle doit être jointe à l'appareil en cas de transmission ou de vente à une tierce personne.

GARDER SOIGNEUSEMENT CES INSTRUCTIONS DE SECURITE.

Le terme « outil électrique » dans les consignes de sécurité fait référence à votre outil électrique alimenté par le secteur (avec cordon d'alimentation) ou votre outil fonctionnant sur batterie (sans cordon d'alimentation).

Instructions générales de sécurité.

1) Sécurité de la zone de travail

- a) **Maintenir la zone de travail propre et bien éclairée.** Les zones en désordre ou sombres sont propices aux accidents.

b) **Ne pas faire fonctionner les outils électriques en atmosphère explosive, par exemple en présence de liquides inflammables, de gaz ou de poussières.** Les outils électriques produisent des étincelles qui peuvent enflammer les poussières ou les fumées.

c) **Maintenir les enfants et les personnes présentes à l'écart pendant l'utilisation de l'outil électrique.** Les distractions peuvent vous faire perdre le contrôle de l'outil.

2) Sécurité électrique

a) **Il faut que les fiches de l'outil électrique soient adaptées au socle. Ne jamais modifier la fiche de quelque façon que ce soit. Ne pas utiliser d'adaptateurs avec des outils électriques à branchement de terre.** Des fiches non modifiées et des socles adaptés réduisent le risque de choc électrique.

b) **Éviter tout contact du corps avec des surfaces reliées à la terre telles que les tuyaux, les radiateurs, les cuisinières et les réfrigérateurs.** Il existe un risque accru de choc électrique si votre corps est relié à la terre.

c) **Ne pas exposer les outils électriques à la pluie ou à des conditions humides.** La pénétration d'eau à l'intérieur d'un outil électrique augmente le risque de choc électrique.

d) **Veiller à ne pas endommager le cordon. Ne jamais utiliser le cordon pour porter, tirer ou débrancher l'outil électrique. Maintenir le cordon à l'écart de la chaleur, du lubrifiant, des arêtes vives ou des parties en mouvement.** Des cordons endommagés ou emmêlés augmentent le risque de choc électrique.

e) **Lorsqu'on utilise un outil électrique à l'extérieur, utiliser un prolongateur adapté à l'utilisation extérieure.** L'utilisation d'un cordon adapté à l'utilisation extérieure réduit le risque de choc électrique.

f) Si l'usage d'un outil électrique dans un emplacement humide est inévitable, utiliser une alimentation protégée par un dispositif à courant différentiel résiduel (RCD). L'usage d'un RCD réduit le risque de choc électrique.

3) Sécurité des personnes

a) Rester vigilant, regarder ce que vous êtes en train de faire et faire preuve de bon sens dans votre utilisation de l'outil électrique. Ne pas utiliser un outil électrique lorsque vous êtes fatigué ou sous l'emprise de drogues, de l'alcool ou de médicaments. Un moment d'inattention en cours d'utilisation d'un outil électrique peut entraîner des blessures graves.

b) Utiliser un équipement de protection individuelle. Toujours porter une protection pour les yeux. Les équipements de protection individuelle tels que les masques contre les poussières, les chaussures de sécurité antidérapantes, les casques ou les protections auditives utilisés pour les conditions appropriées réduisent les blessures.

c) Éviter tout démarrage intempestif. S'assurer que l'interrupteur est en position arrêt avant de brancher l'outil au secteur et/ou au bloc de batteries, de le ramasser ou de le porter. Porter les outils électriques en ayant le doigt sur l'interrupteur ou brancher des outils électriques dont l'interrupteur est en position marche est source d'accidents.

d) Retirer toute clé de réglage avant de mettre l'outil électrique en marche. Une clé laissée fixée sur une partie tournante de l'outil électrique peut donner lieu à des blessures.

e) Ne pas se précipiter. Garder une position et un équilibre adaptés à tout moment. Cela permet un meilleur contrôle de l'outil électrique dans des situations inattendues.

f) S'habiller de manière adaptée. Ne pas porter de vêtements amples ou de bijoux. Garder les cheveux et les vêtements à distance des parties en mouvement. Des vêtements amples, des bijoux ou les cheveux longs peuvent être pris dans des parties en mouvement.

g) Si des dispositifs sont fournis pour le raccordement d'équipements pour l'extraction et la récupération des poussières, s'assurer qu'ils sont connectés et correctement utilisés. Utiliser des collecteurs de poussière peut réduire les risques dus aux poussières.

h) Rester vigilant et ne pas négliger les principes de sécurité de l'outil sous prétexte que vous avez l'habitude de l'utiliser. Une fraction de seconde d'inattention peut provoquer une blessure grave.

4) Utilisation et entretien de l'outil électrique

a) Ne pas forcer l'outil électrique. Utiliser l'outil électrique adapté à votre application. L'outil électrique adapté réalise mieux le travail et de manière plus sûre au régime pour lequel il a été construit.

b) Ne pas utiliser l'outil électrique si l'interrupteur ne permet pas de passer de l'état de marche à arrêt et inversement. Tout outil électrique qui ne peut pas être commandé par l'interrupteur est dangereux et il faut le réparer.

c) Débrancher la fiche de la source d'alimentation et/ou enlever le bloc de batteries, s'il est amovible, avant tout réglage, changement d'accessoires ou avant de ranger l'outil électrique. De telles mesures de sécurité préventives réduisent le risque de démarrage accidentel de l'outil électrique.

d) Conserver les outils électriques à l'arrêt hors de la portée des enfants et ne pas permettre à des personnes ne connaissant pas l'outil électrique ou les présentes instructions de le faire fonctionner. Les outils électriques sont dangereux entre les mains d'utilisateurs novices.

e) Observer la maintenance des outils électriques et des accessoires. Vérifier qu'il n'y a pas de mauvais alignement ou de blocage des parties mobiles, des pièces cassées ou toute autre condition pouvant affecter le fonctionnement de l'outil électrique. En cas de dommages, faire réparer l'outil électrique avant de l'utiliser. De nombreux accidents sont dus à des outils électriques mal entretenus.

- f) Garder affûtés et propres les outils permettant de couper.** Des outils destinés à couper correctement entretenus avec des pièces coupantes tranchantes sont moins susceptibles de bloquer et sont plus faciles à contrôler.
- g) Utiliser l'outil électrique, les accessoires et les lames etc., conformément à ces instructions, en tenant compte des conditions de travail et du travail à réaliser.** L'utilisation de l'outil électrique pour des opérations différentes de celles prévues peut donner lieu à des situations dangereuses.
- h) Il faut que les poignées et les surfaces de préhension restent sèches, propres et dépourvues d'huiles et de graisses.** Des poignées et des surfaces de préhension glissantes rendent impossibles la manipulation et le contrôle en toute sécurité de l'outil dans les situations inattendues.
- 5) Utilisation des outils fonctionnant sur batteries et précautions d'emploi**
- a) Ne recharger qu'avec le chargeur spécifié par le fabricant.** Un chargeur qui est adapté à un type de bloc de batteries peut créer un risque de feu lorsqu'il est utilisé avec un autre type de bloc de batteries.
- b) N'utiliser les outils électriques qu'avec des blocs de batteries spécifiquement désignés.** L'utilisation de tout autre bloc de batteries peut créer un risque de blessure et de feu.
- c) Lorsqu'un bloc de batteries n'est pas utilisé, le maintenir à l'écart de tout autre objet métallique, par exemple trombones, pièces de monnaie, clés, clous, vis ou autres objets de petite taille qui peuvent donner lieu à une connexion d'une borne à une autre.** Le court-circuitage des bornes d'une batterie entre elles peut causer des brûlures ou un feu.
- d) Dans de mauvaises conditions, du liquide peut être éjecté de la batterie; éviter tout contact. En cas de contact accidentel, nettoyer à l'eau. Si le liquide entre en contact avec les yeux, rechercher en plus une aide médicale.** Le liquide éjecté des batteries peut causer des irritations ou des brûlures.
- e) Ne pas utiliser un bloc de batteries ou un outil fonctionnant sur batteries qui a été endommagé ou modifié.** Les batteries endommagées ou modifiées peuvent avoir un comportement imprévisible provoquant un feu, une explosion ou un risque de blessure.
- f) Ne pas exposer un bloc de batteries ou un outil fonctionnant sur batteries au feu ou à une température excessive.** Une exposition au feu ou à une température supérieure à 130 °C peut provoquer une explosion.
- g) Suivre toutes les instructions de charge et ne pas charger le bloc de batteries ou l'outil fonctionnant sur batteries hors de la plage de températures spécifiée dans les instructions.** Un chargement incorrect ou à des températures hors de la plage spécifiée de températures peut endommager la batterie et augmenter le risque de feu.
- 6) Maintenance et entretien**
- a) Faire entretenir l'outil électrique par un réparateur qualifié utilisant uniquement des pièces de rechange identiques.** Cela assure le maintien de la sécurité de l'outil électrique.
- b) Ne jamais effectuer d'opération d'entretien sur des blocs de batteries endommagés.** Il convient que l'entretien des blocs de batteries ne soit effectué que par le fabricant ou les fournisseurs de service autorisés.

Instructions particulières de sécurité.

Tenir l'outil électrique par les parties isolantes lors d'opérations au cours desquelles la vis peut être en contact avec des conducteurs cachés. Le contact de la vis avec un fil sous tension peut également mettre sous tension les parties métalliques exposées de l'outil électrique et provoquer ainsi un choc électrique.

Faire attention aux câbles électriques, conduites de gaz et d'eau éventuellement cachés. Avant de commencer le travail, contrôler la zone de travail à l'aide d'un détecteur de métaux par exemple.



Lors des travaux, porter une protection acoustique.

Porter un équipement de protection individuelle. En fonction de l'application, utiliser un écran facial, des lunettes de sécurité ou des verres de sécurité. Le cas échéant, utiliser un masque antipoussières, des protections auditives, des gants et un tablier pouvant vous protéger des projections de fragments abrasifs ou des pièces à travailler. La protection oculaire doit pouvoir vous protéger des débris volants résultant des diverses opérations. Le masque antipoussières ou le masque respiratoire doit pouvoir filtrer les particules générées lors de l'utilisation de l'appareil. L'exposition prolongée aux bruits de forte intensité peut provoquer une perte de l'audition.

Bloquez la pièce à travailler. Une pièce à travailler serrée par un dispositif de serrage est fixée de manière plus sûre que si elle est seulement tenue de la main.

Tenez fermement l'outil électrique. Il pourrait avoir des réactions inattendues.

Ne pas travailler de matériaux contenant du magnésium. Il y a risque d'incendie.

Ne pas travailler du PRFC (plastique à renfort fibre de carbone) et pas de matériaux contenant de l'amiante. Ils sont considérés cancérigènes.

Il est interdit de visser ou de riveter des plaques ou des repères sur l'outil électrique.

Une isolation endommagée ne présente aucune protection contre une électrocution. Utiliser des autocollants.

N'utilisez pas des accessoires qui n'ont pas été spécialement conçus ou autorisés par le fabricant de l'outil électrique. Le seul fait qu'un accessoire puisse être monté sur votre outil électrique ne garantit pas une utilisation sans risque.

Avant l'utilisation, assurez-vous que l'accessoire est correctement fixé. Dans le cas d'un porte-outil carré avec alésage, l'accessoire doit également être fixé avec un ajustement positif. Les accessoires mal fixés ou non fixés peuvent se détacher ou être éjectés. Ceci peut entraîner des blessures.

Nettoyez régulièrement les ouïes de ventilation de l'outil électrique avec des outils non-métalliques. La ventilation du moteur aspire la poussière à l'intérieur du carter. Une trop grande quantité de poussière de métal accumulée peut provoquer des incidents électriques.

Ne regardez jamais de très près directement dans la lumière de la lampe de l'outil électrique. Ne dirigez pas la lumière de la lampe vers les yeux d'autres personnes se trouvant à proximité. Les rayons générés par la lampe peuvent être dangereux pour les yeux.

Ne pas diriger l'outil électrique vers soi-même ou vers d'autres personnes ou des animaux. Il y a un danger de blessure causé par des outils de travail tranchants ou chauds.

Arrêtez immédiatement l'outil électrique lorsque l'accessoire coince. Ne pas remettre en marche l'outil électrique tant que l'accessoire est bloqué ; ceci pourrait causer un contre-coup avec couple de réaction élevé. Déterminer et éliminer la cause du blocage de l'accessoire en respectant les consignes de sécurité. Causes possibles :

- Coinçage dans la pièce à travailler
- Rupture du matériau à travailler
- Surcharge de l'outil électrique.

Utilisation et entretien de la batterie (blocs de batterie)

Afin d'éviter des dangers tels que brûlures, incendie, explosion, blessures de la peau et d'autres blessures lors du maniement de la batterie, respectez les indications suivantes :

Ne pas ouvrir, ni démonter les batteries. Ne pas exposer les batteries à des chocs mécaniques. En cas d'endommagement et d'utilisation non conforme de la batterie, des vapeurs peuvent s'échapper. Les vapeurs peuvent irriter les voies respiratoires. Le liquide qui sort de la batterie peut provoquer des irritations de la peau ou causer des brûlures.

Au cas où le liquide contenu dans les batteries aurait contaminé des objets se trouvant à proximité, contrôlez les parties touchées, nettoyez-les ou, le cas échéant, remplacez-les.

N'exposez pas la batterie à la chaleur ni au feu. Ne stockez pas la batterie dans un endroit directement exposé au soleil.

Ne retirez la batterie de son emballage d'origine que lorsqu'elle doit être utilisée.

Avant tous travaux sur l'outil électrique, retirez la batterie de l'outil. Risque de blessures en cas de démarrage non intentionnel de l'outil électrique.

Ne montez la batterie que lorsque l'outil électrique est à l'arrêt.

Ne retirez la batterie que lorsque l'outil électrique est à l'arrêt.

Maintenez les batteries hors de la portée des enfants.

Tenez toujours la batterie propre et protégez-la de l'humidité et de l'eau. Nettoyez les raccords encrassés de la batterie et de l'outil électrique à l'aide d'un chiffon sec et propre.

N'utilisez que des batteries intactes d'origine FEIN conçus pour votre outil électrique. En cas d'utilisation de batteries d'un type ne convenant pas à l'outil, de batteries endommagées, réparées ou modifiées, de batteries contrefaites ou d'autres fabricants, il y a danger d'incendie et/ou d'explosion.

Respectez les indications de sécurité de la notice d'utilisation du chargeur de batteries.

Maniement de poussières nocives.

⚠ AVERTISSEMENT Lors du travail avec des outils, par ex. lors du ponçage, polissage, sciage ou d'autres opérations enlevant du matériau, des poussières sont générées qui peuvent être nocives pour la santé, auto-inflammables ou explosives.

Toucher ou aspirer certaines poussières peut causer des réactions allergiques et/ou des maladies respiratoires, un cancer, des malformations à la naissance ou autres anomalies de reproduction auprès de l'utilisateur ou de personnes se trouvant à proximité.

Quelques exemples de tels matériaux et de produits chimiques qu'ils contiennent dont l'usinage génère des poussières nocives :

- l'amiante et les matériaux contenant de l'amiante ;
- peintures contenant du plomb, certains bois tels que le bois de chêne et de hêtre ;
- minéraux et métal ;
- les particules de silicate contenues dans les briques, le béton et autres matériaux contenant de la roche ;
- les solvants contenus dans les vernis et peintures ;
- l'arsenic, le chrome et d'autres lasures ;
- produits pour la lutte contre les vermines sur la coque de bateaux et de bâtiments ;
- poussières d'aciers fins, poussières de métaux et poussières de métaux non-ferreux.

Pour minimiser la résorption indésirable de ces matériaux :

- Utiliser une aspiration adaptée à la poussière générée.

- Utiliser des équipements personnels de protection tels que par exemple un masque anti-poussière de la classe filtre P2.
- Veiller à bien aérer la zone de travail.

Le risque causé par le fait d'aspirer des poussières dans les poumons dépend de la fréquence à laquelle ces matériaux sont travaillés. Les matériaux contenant de l'amiante ne doivent être travaillés que par des personnes qualifiées.

⚠ ATTENTION Les poussières de bois et les poussières de métaux légers peuvent causer une auto-inflammation ou une explosion.

Des mélanges chauds de poussières de ponçage contenant des résidus de vernis, de polyuréthane ou de produits chimiques dans le sac à poussières en papier ou dans le filtre de l'aspirateur peuvent s'enflammer dans des conditions défavorables tels que projection d'étincelles lors du ponçage de métaux, soleil direct permanent ou température ambiante élevée. Pour prévenir ces conditions :

- Éviter la surchauffe des matériaux usinés et de l'outil électrique.
- Vider le bac de récupération des poussières à temps.
- Respecter les indications de travail du fabricant du matériau.
- Respecter les règlements spécifiques aux matériaux à traiter en vigueur dans votre pays.

Vibrations mains-bras.

⚠ AVERTISSEMENT **Des vibrations mains-bras sont générées lors du travail avec cet outil électrique.** Celles-ci peuvent entraîner des effets néfastes sur la santé.

⚠ AVERTISSEMENT La valeur réelle des vibrations lors de l'utilisation de l'outil électrique peut dévier des valeurs indiquées, en fonction de l'utilisation de l'outil électrique.

⚠ AVERTISSEMENT Pour protéger l'opérateur, des mesures de sécurité doivent être déterminées sur la base de la sollicitation vibratoire estimée pendant l'utilisation effective.

Le niveau d'oscillation indiqué dans ces instructions d'utilisation a été mesuré conformément à la norme EN 62841 et peut être utilisé pour une comparaison d'outils électriques. Il est également approprié pour une estimation préliminaire de la charge vibratoire. Le niveau d'oscillation correspond aux utilisations

principales de l'outil électroportatif. Si l'outil électrique est cependant utilisé pour d'autres applications, avec d'autres outils de travail ou avec un entretien non approprié, le niveau d'oscillation peut être différent. Ceci peut augmenter considérablement la sollicitation vibratoire pendant toute la durée de travail.

Pour une estimation précise de la sollicitation vibratoire, il est recommandé de prendre aussi en considération les espaces de temps pendant lesquels l'appareil est éteint ou en marche, mais pas vraiment utilisé. Ceci peut réduire considérablement la sollicitation vibratoire pendant toute la durée de travail. Déterminez des mesures de protection supplémentaires pour protéger l'utilisateur des effets des vibrations, telles que par exemple : Entretien de l'outil électrique et des outils de travail, maintenir les mains chaudes, organisation des opérations de travail.

Valeurs d'émission pour niveau sonore et vibration (Indication à deux chiffres conformément à la norme ISO 4871)

Émission acoustique	ASCD12-100W4 (**)	ASCD12-150W4 (**)	ASCD12-150W8 (**)	ASCD18-200W4 (**)	ASCD18-300W2 (**)	ASCD18-1000W34 (**)
Mesure réelle (A) du niveau de pression acoustique sur le lieu de travail L_{pA} (re 20 μPa), en décibel	93.8	91.5	90.2	93.8	96.1	93.6
Incertitude K_{pA} , en décibel	3	3	3	3	3	3
Mesure réelle (A) du niveau d'intensité acoustique pondéré L_{wA} (re 1 pW), en décibel	104.8	102.5	101.2	104.8	107.1	104.6
Incertitude K_{wA} , en décibel	3	3	3	3	3	3
Mesure réelle (C) du niveau max. de pression acoustique sur le lieu de travail $L_{pC-peak}$ en décibel	112.0	111.7	113.7	114.5	118.2	119.5

Émission acoustique	ASCD12- 100W4 (**)	ASCD12- 150W4 (**)	ASCD12- 150W8 (**)	ASCD18- 200W4 (**)	ASCD18- 300W2 (**)	ASCD18- 1000W34 (**)
Incertitude K_{pCpeak} en décibel	3	3	3	3	3	3
Vibration						
moyenne arithmétique des valeurs totales des vibrations						
- ft/s^2	47.4	31.8	29.8	42.3	52.8	42.3
- m/s^2	14.5	9.7	9.1	12.9	16.1	12.9
Incertitude K , en						
- ft/s^2	4.9	4.9	4.9	4.9	4.9	4.9
- m/s^2	1.5	1.5	1.5	1.5	1.5	1.5

REMARQUE : La somme de la valeur d'émission mesurée et de l'incertitude constitue la limite supérieure des valeurs qui peuvent apparaître pendant la prise de mesures.










Porter une protection acoustique !





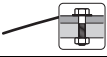
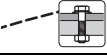
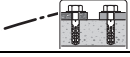
Valeurs de mesure mesurées conformément à la norme correspondante du produit.

Conception de l'outil électrique :

visseuse à percussion portative pour le serrage et desserrage à sec de vis et écrous à l'abri des intempéries, avec les outils de travail et les accessoires autorisés par FEIN.

Symboles.

Symbole, signe	Explication
	Ne pas toucher les éléments en rotation de l'outil électrique.
	Lire impérativement les documents ci-joints tels que la notice d'utilisation et les instructions générales de sécurité.
	Suivre les indications données dans le texte ou la représentation graphique ci contre !
	Signal général d'interdiction. Cette action est interdite !
	Avant d'effectuer ce travail, retirer la batterie de l'outil électrique. Sinon, il y a des risques de blessures dues à un démarrage non intentionné de l'outil.
	Lors des travaux, porter une protection oculaire.
	Lors des travaux, porter une protection acoustique.
	Lors des travaux, utiliser un protège-main.
	Ne pas charger des batteries endommagées.
	Ne pas exposer ou jeter la batterie au feu. Protéger la batterie des sources de chaleur, comme par ex. l'exposition directe au soleil.
	Suivre les indications données dans le texte ci-contre !
	Mise en marche
	Arrêt
	Ce symbole confirme la certification de ce produit aux États-Unis et au Canada.
	Confirme la conformité de l'outil électrique aux directives de l'Union Européenne.
	Cette indication met en garde contre une situation dangereuse imminente. Une mauvaise manipulation peut entraîner de graves blessures ou la mort.
	Cette indication indique une situation éventuellement dangereuse pouvant entraîner de graves blessures ou la mort.
	Cette indication met en garde contre une situation potentiellement dangereuse qui peut entraîner des blessures.
	Signalisation de recyclage : indique les matériaux recyclables
	Trier les outils électriques ainsi que tout autre produit électrotechnique et électrique et les déposer à un centre de recyclage respectant les directives relatives à la protection de l'environnement.
	Type d'accumulateur

Symbole, signe	Explication
	Type de chargeur
	Vitesse de rotation faible
	Vitesse de rotation élevée
	Attention : Ne pas regarder directement la lampe allumée !
	Courbe du couple dans matériau dur, p. ex. vis et écrous avec rondelle (en fonction du diamètre et de la dureté de vis)
	Courbe du couple dans matériau élastique, p. ex. jantes de roues de voiture, rondelles élastiques, rondelles belleville, boulons, rallonges
	Courbe du couple dans matériau tendre, par ex. bois (en fonction du diamètre et de la longueur de vis), disques en plomb ou en fibre
*	L'outil électroportatif peut également fonctionner avec les classes de tension 12 V et 14,4 V, avec des caractéristiques différentes.
(**)	peut contenir des chiffres ou des lettres
***	partiellement fourni avec
(Ax - Zx)	Marquage interne

Signe	Unité nationale	Explication
n_0	rpm; /min; min^{-1} ; r/min	Vitesse à vide (pour batterie complètement chargée)
P	W	Unité de mesure pour la puissance électrique
	°	Unité de mesure pour la largeur d'angle
U	V ₋₋₋	Unité de mesure pour la tension électrique
f	Hz	Unité de mesure pour la fréquence
I	A	Unité de mesure pour l'intensité du courant électrique
m	kg, lbs	Unité de mesure pour la masse
l	ft, in	Unité de mesure pour longueur, largeur, hauteur, profondeur, diamètre ou filetage
\varnothing	ft, in	Diamètre d'un élément
$K...$		Incertitude
a	m/s^2	Valeur d'émission vibratoire selon EN 62841 (somme vectorielle des trois directions)
	m, s, kg, A, mm, V, W, Hz, N, °C, dB, min, m/s^2	Unités de base et unités dérivées du système international SI .

Description technique et spécification.

⚠ AVERTISSEMENT Retirer la batterie avant de commencer les travaux de montage ou de changer les outils de travail et les accessoires. Cette mesure de sécurité préventive exclut un danger de blessure causé par un démarrage non intentionné de l'outil électrique.

Il se peut que seule une partie des accessoires décrits ou représentés dans cette notice d'utilisation soit fournie avec l'outil électrique.

Fig. 1

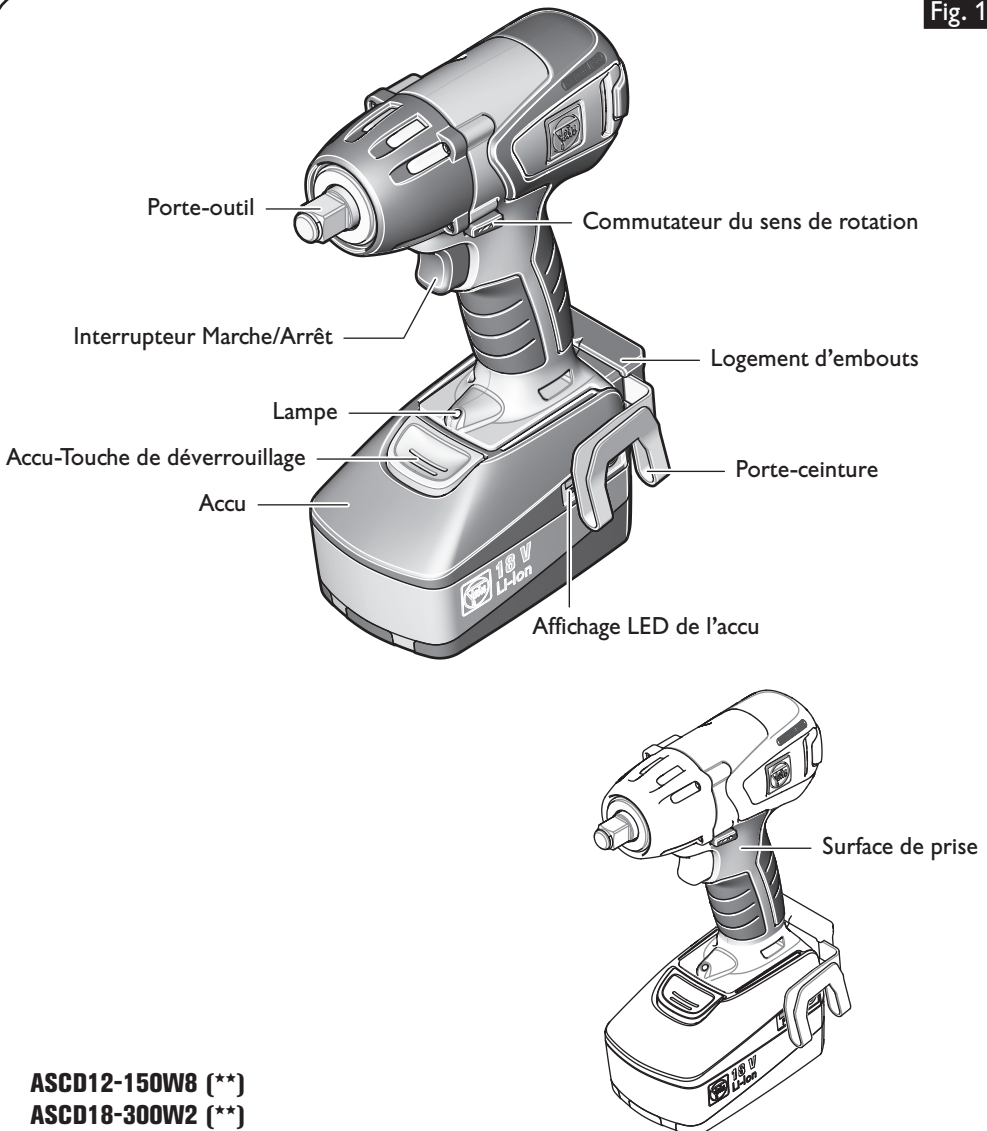
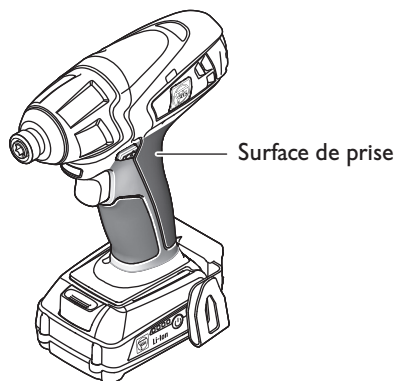
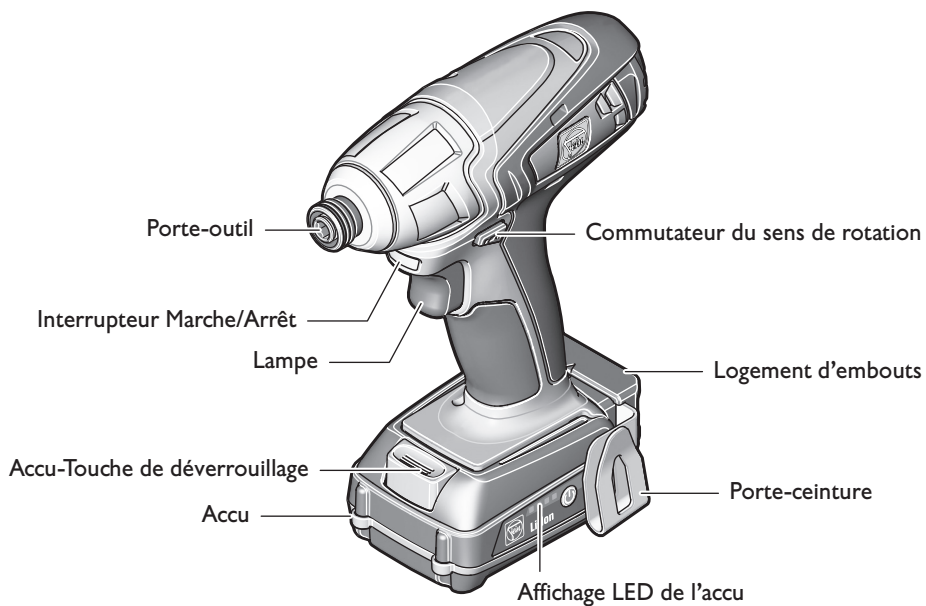
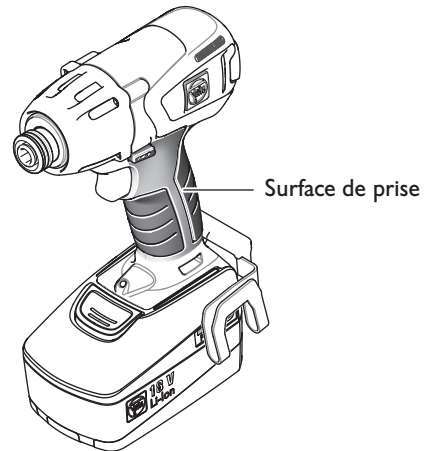
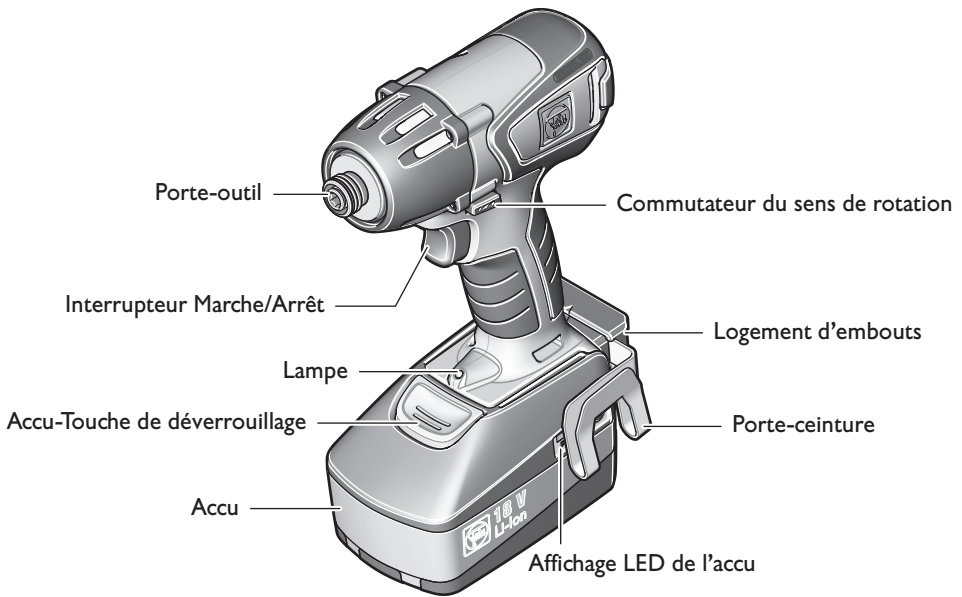


Fig. 2



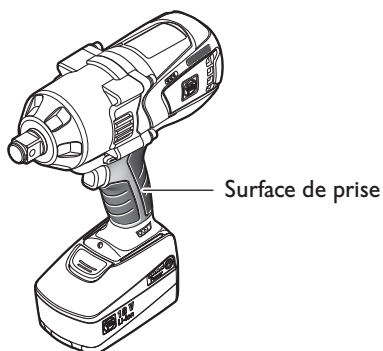
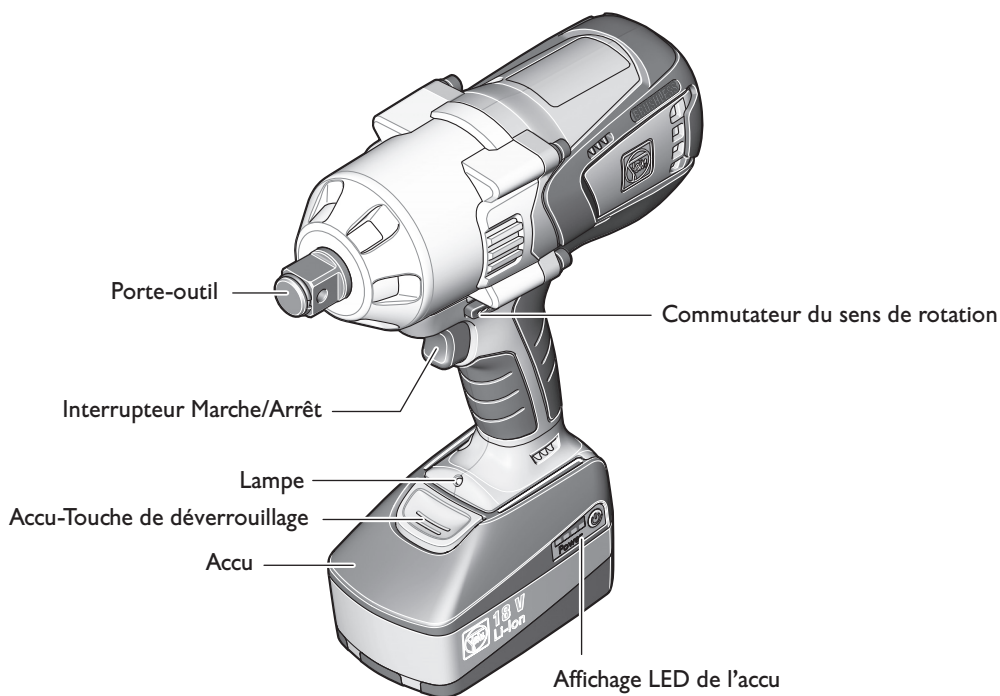
ASCD12-100W4 ()**

Fig. 3






ASCD12-150W4 ()**

ASCD18-200W4 ()**



ASCD18-1000W34 ()**

Type	ASCD12-100W4 (**)	ASCD12-150W4 (**)	ASCD12-150W8 (**)	ASCD18-200W4 (**)	ASCD18-300W2 (**)	ASCD18-1000W34 (**)
Référence	7 115 ...	7 115 ...	7 115 ...	7 115 ...	7 115 ...	7 115 ...
Tension de référence	12 V \equiv	12 V \equiv	12 V \equiv	18 V \equiv *	18 V \equiv *	18 V \equiv *
Vitesse à vide	0-2700 /min	0-1700 /min	0-1800 /min	0-1500 /min	0-1700 /min	0-1800 /min
Fréquence de frappe	0-3450 /min	0-3400 /min	0-3600 /min	0-3000 /min	0-3400 /min	0-2200 /min
Couple(vissage dur/tendre)	74 ft-lbs/ 100 Nm	100 ft-lbs/ 135 Nm	100 ft-lbs/ 135 Nm	155 ft-lbs/ 210 Nm	214 ft-lbs/ 290 Nm	780 ft-lbs/ 1050 Nm
Porte-outil six pans creux						
Porte-outil carré mâle	1/4"○	1/4"○	3/8"■	1/4"○	1/2"■	3/4"■
Poids suivant EPTA-Procedure 01 (Outil électrique sans batterie et sans outil de travail)						
	1.98 lbs (0.9 kg)	1.87 lbs (0.85 kg)	1.87 lbs (0.85 kg)	2.20 lbs (1.0 kg)	2.20 lbs (1.0 kg)	6.61 lbs (3.0 kg)

Type	B12A	B18A	B18A
			
Type d'accumulateur	ions lithium (Lilon)	ions lithium (Lilon)	ions lithium (Lilon)
Tension de référence	12 V \equiv	18 V \equiv	18 V \equiv
Poids suivant EPTA-Procedure 01 (Batterie)			
	0.55 lbs (0.25 kg)	1.00 lbs (0.45 kg)	1.54 lbs (0.70 kg)
Type de chargeur	ALG 30, ALG 50, ALG 80 (**)		

Indications de montage.

⚠ AVERTISSEMENT Retirer la batterie avant de commencer les travaux de montage ou de changer les outils de travail et les accessoires. Cette mesure de sécurité préventive exclut un danger de blessure causé par un démarrage non intentionné de l'outil électrique.

Retirer et charger l'accumulateur (figure 5).

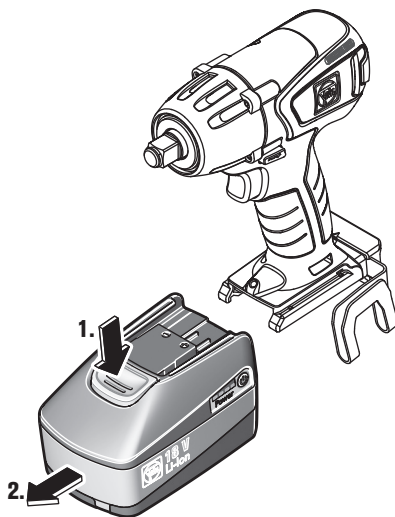
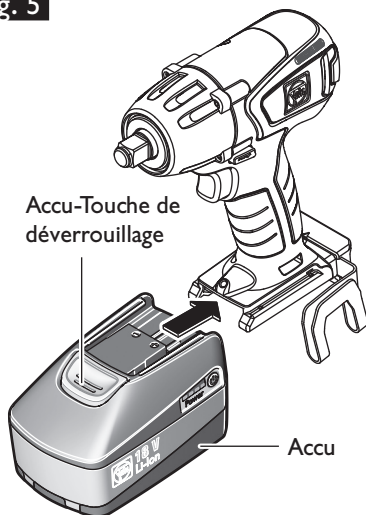
- ❗ Lisez la notice d'utilisation du chargeur avant le premier processus de charge.
- ❗ Avant la première mise en service, chargez l'accumulateur complètement.

Déverrouillez l'accumulateur en appuyant sur la touche de déverrouillage et retirez-le de la poignée. Ne forcez pas.

Branchez le chargeur sur la prise de courant, enfoncez l'accumulateur sur le chargeur et chargez l'accumulateur. Une fois le processus de charge terminé, montez l'accumulateur sur l'outil électrique et retirez la fiche du chargeur de la prise de courant.

Un accumulateur neuf n'atteint sa pleine puissance qu'après plusieurs cycles de charge et de décharge.

Fig. 5



Maniement de la batterie.

Ne stockez, n'utilisez et ne chargez la batterie qu'à l'aide de chargeurs FEIN dans la plage de température de service admissible de 5 °C à 45 °C (41 °F à 113 °F). Au début du processus de charge, la température de la batterie doit se situer dans la plage de température de service de la batterie.

Voyant lumineux indiquant l'état de charge de l'accumulateur (figure 6).

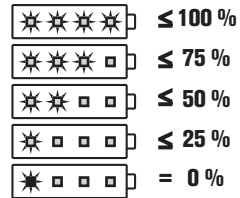
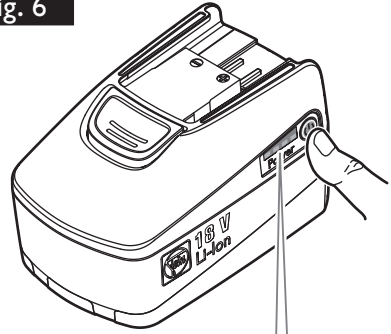
Appuyez sur la touche pour activer l'affichage LED.

Affichage LED	Explication	Action
1 – 4 LED vertes	État de charge en pourcentage	Machine prête à l'emploi
Voyant rouge permanent	La batterie est presque vide	Charger la batterie
Voyant rouge clignotant	La batterie n'est pas prête à fonctionner	Mettre la batterie dans la plage de température de service de la batterie, la charger ensuite

L'état de charge actuel en pourcentage de la batterie n'est indiqué que lorsque le moteur de l'outil électroportatif est à l'arrêt.

L'électronique stoppe automatiquement le moteur pour éviter toute décharge avancée de la batterie.

Fig. 6



Montage du porte-ceinture et du logement d'embouts

ASCD12-100W4 (**)

ASCD12-150W4 (**)

ASCD12-150W8 (**)

ASCD18-300W2 (**)

ASCD18-300W4 (**)

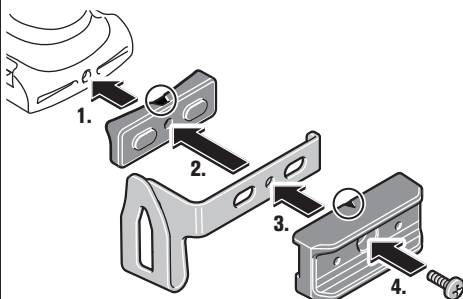
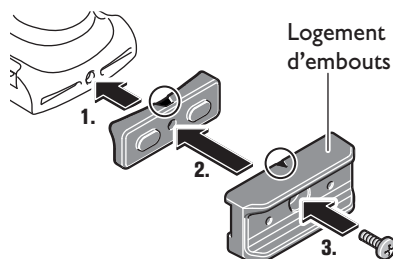
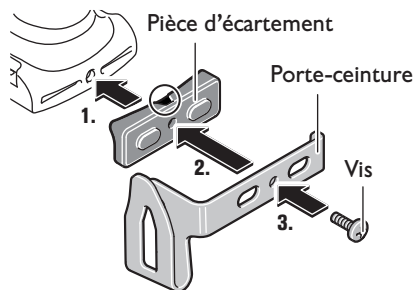
(figure 7).

Pour monter le porte-ceinture, positionner la pièce d'écartement ainsi que le porte-ceinture et les fixez à l'aide de la vis.

Pour monter le logement d'embouts, positionner la pièce d'écartement ainsi que le logement d'embouts et les fixez à l'aide de la vis.

Pour monter le porte-ceinture avec le logement d'embouts, positionner la pièce d'écartement, le porte-ceinture ainsi que le logement d'embouts et les fixez à l'aide de la vis.

Fig. 7



Changement d'outil



AVERTISSEMENT Retirer la batterie avant de commencer les travaux de montage ou de changer les outils de travail et les accessoires. Cette mesure de sécurité

préventive exclut un danger de blessure causé par un démarrage non intentionné de l'outil électrique.

Montage de l'outil de travail (figure 8).

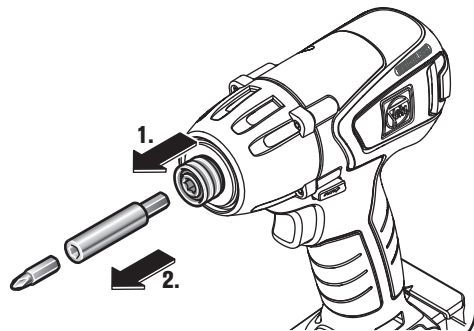
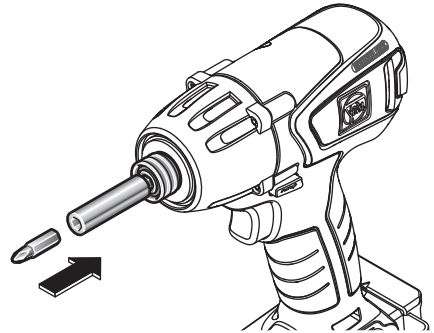
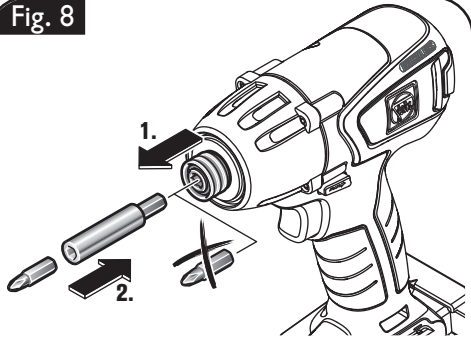
ASCD12-100W4 (**)

ASCD12-150W4 (**)

ASCD18-200W4 (**)

Tirez la douille vers l'avant.

Montez ensuite l'outil de travail souhaité.



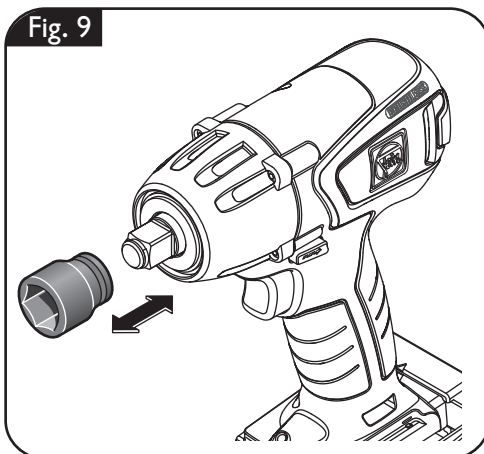
Montage de l'outil de travail (figure 9).

ASCD12-150W8 ()**

ASCD18-300W2 ()**

ASCD18-1000W34 ()**

Montez l'embout complètement sur le carré d'entraînement.



Indications pour le travail.

⚠ AVERTISSEMENT

Retirer la batterie avant de commencer les travaux de montage ou de changer les outils de travail et les accessoires. Cette mesure de sécurité

préventive exclut un danger de blessure causé par un démarrage non intentionné de l'outil électrique.

N'utilisez pas d'accessoires non conçus spécifiquement et recommandés par FEIN pour cet outil électrique. Le fait d'utiliser des accessoires qui ne sont pas d'origine FEIN risque de surchauffer l'outil électrique et de le détruire.

⚠ ATTENTION

N'utiliser que des outils de travail FEIN conçus et autorisés pour l'utilisation correspondante.

Réglage du couple (figure 10).

ASCD12-150W4 (**)

ASCD12-150W8 (**)

ASCD18-200W4 (**)

ASCD18-300W2 (**)

ASCD18-100034W (**)

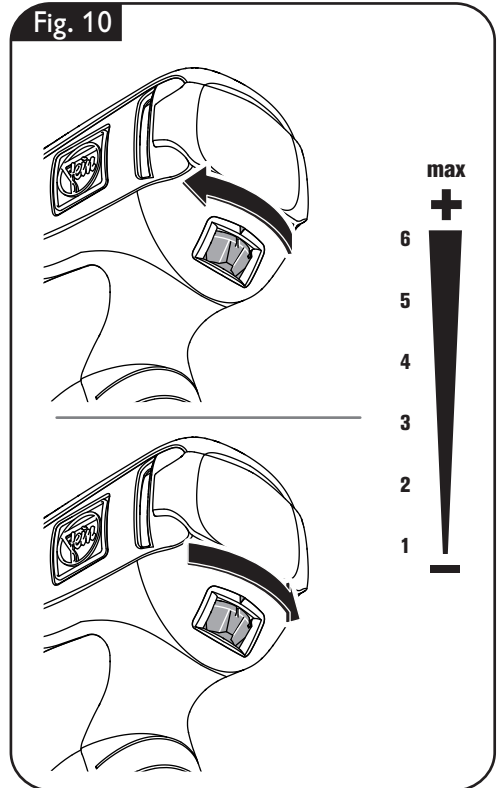
Ne changez le couple qu'à l'arrêt du moteur.

Le réglage du couple correspond à la plage pour vis de taille petite et moyenne.

Le couple de serrage dépend aussi de la force avec laquelle l'outil électrique est pressé contre la vis.

- petit couple : petites vis
- couple important : vis de taille importante

En effectuant des essais pratiques, déterminez le réglage approprié pour pouvoir visser correctement les vis afin que leur tête affleure le matériau.

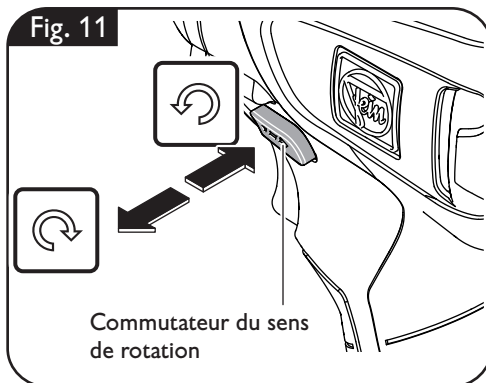


Sélection du sens de rotation (figure 11).

Mettez le commutateur du sens de rotation en position médiane pour éviter un déclenchement intempestif, par ex. lors du transport.

Positionnez le commutateur du sens de rotation sur rotation droite ou gauche suivant le besoin.

! N'actionnez le commutateur du sens de rotation qu'à l'arrêt total du moteur.



Mise en fonctionnement/Arrêt (figure 12).

ATTENTION **Toujours bien tenir l'outil électroportatif.** Vous risquez sinon de perdre le contrôle de l'outil électrique.

AVERTISSEMENT **Il y a risque de brûlure. L'accessoire peut chauffer pendant l'utilisation.** Laissez refroidir l'accessoire :

- après avoir déposé l'outil électrique
- avant de changer des accessoires.

En cas de surcharge, l'outil électrique s'arrête. Une surcharge thermique de l'outil électrique est indiquée par un clignotement de la LED dans la poignée

Posez l'outil électrique sur la vis/sur l'écrou seulement lorsque l'appareil est éteint. Un accessoire en rotation peut glisser.

Lors du serrage et du desserrage, tenez l'outil électrique dans un angle de 90° perpendiculairement par rapport à la vis.

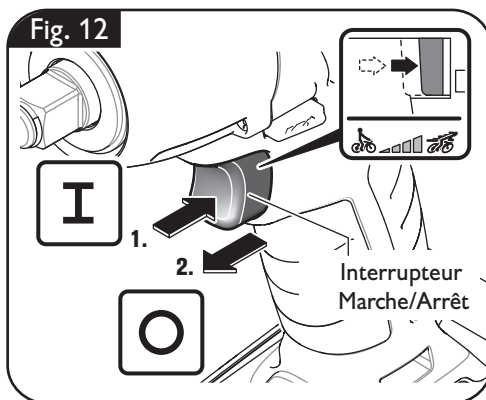
Un outil électrique placé en oblique peut endommager la tête de la vis empêchant ainsi le transfert de la force de l'outil à la vis.

Mise en fonctionnement :

Appuyez sur l'interrupteur Marche/Arrêt. La vitesse de rotation augmente avec la pression exercée sur l'interrupteur Marche/Arrêt.

Arrêt :

Pour arrêter l'appareil, relâchez l'interrupteur Marche/Arrêt.



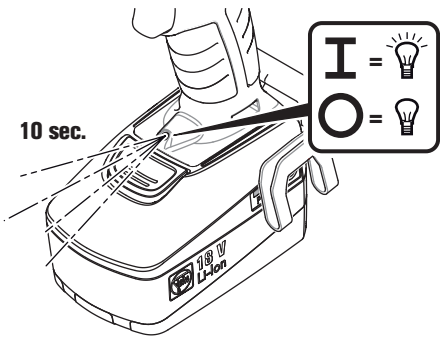
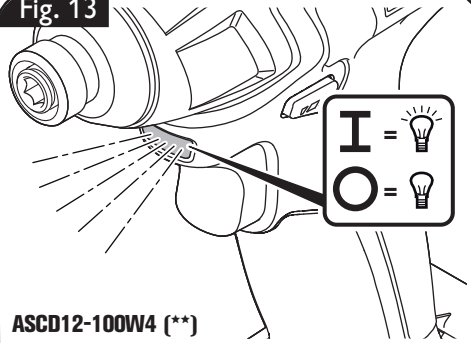
Éclairage (figure 13).

⚠ AVERTISSEMENT Ne regardez jamais de très près directement dans la lumière de la lampe de l'outil électrique. Ne dirigez pas la lumière de la lampe vers les yeux d'autres personnes se trouvant à proximité. Les rayons générés par la lampe peuvent être dangereux pour les yeux.

Appuyer sur l'interrupteur Marche/Arrêt allume la lampe.

Si l'on relâche l'interrupteur Marche/Arrêt, la lampe reste allumée pendant une courte durée, puis s'éteint automatiquement.

Fig. 13



Durée de frappe (figure 14).

En outre, une prolongation inutile de la durée de frappe augmente l'usure de l'outil électrique.

Déterminez la durée de frappe pour le vissage respectif et, à l'aide d'une clé dynamométrique, contrôlez le couple obtenu.

Les valeurs de référence de la durée de frappe sont indiquées dans le diagramme.

Recommandation pour le réglage de la visseuse à percussion :

ASCD18-1000W34 (**)

Vitesse	max. [ft-lbs]
6	780
5	670
4	560
3	450
2	340
1	230

ASCD18-1000W34 ():** Si vous utilisez un adaptateur 3/4 in à 1/2 in, faites fonctionner la visseuse à percussion maximum en position 3 (600 Nm).

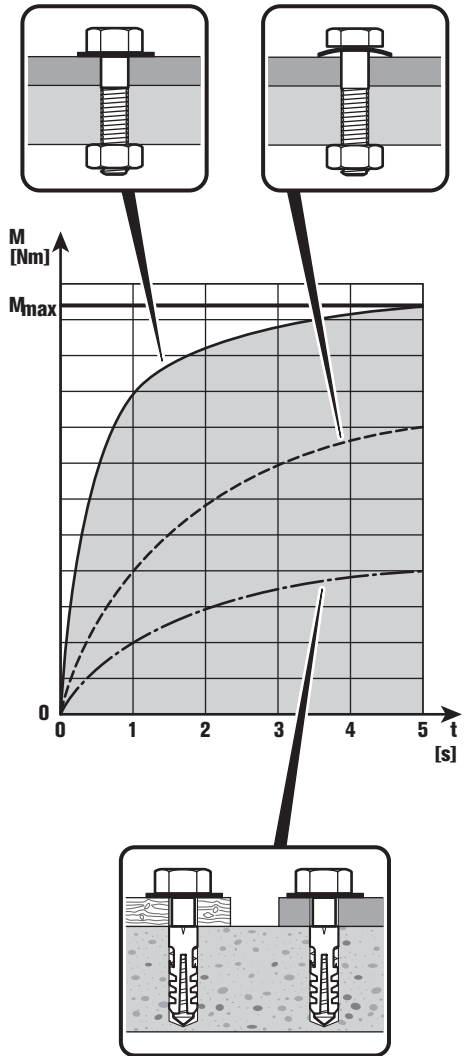
ASCD18-300W2 (**)

Vitesse	max. [ft-lbs]
6	214
5	155
4	100
3	63
2	37
1	18

ASCD12-150W8 (**)

Vitesse	max. [ft-lbs]
6	100
5	63
4	37
3	18
2	7
1	4

Fig. 14



Travaux d'entretien et service après-vente.

Pièces remplaçables.

Si nécessaire, vous pouvez remplacer vous-même les éléments suivants :

Outils de travail, batterie, porte-ceinture, logement d'embouts

Service après-vente.

⚠ AVERTISSEMENT Ne faire effectuer les travaux d'entretien que par des personnes qualifiées. Les câbles et éléments mal montés peuvent présenter des risques graves. Ne faire effectuer le service d'entretien nécessaire que par une station de service après-vente FEIN.

Les produits ayant été en contact avec de l'amiante ne doivent pas être réparés. Éliminer les produits contaminés par l'amiante conformément aux dispositions nationales relatives à l'élimination de déchets contenant de l'amiante.

Vous trouverez la liste actuelle des pièces de rechange pour cet outil électrique sur notre site www.fein.com.

N'utiliser que des pièces de rechange d'origine.

Garantie.

La garantie du produit est valide conformément à la réglementation légale en vigueur dans le pays où le produit est mis sur le marché. Outre les obligations de garantie légale, les appareils FEIN sont garantis conformément à notre déclaration de garantie de fabricant.

Il se peut que seule une partie des accessoires décrits ou représentés dans cette notice d'utilisation soit fournie avec l'outil électrique.

Protection de l'environnement, recyclage.

Rapporter les emballages, les outils électriques hors d'usage et les accessoires dans un centre de recyclage respectant les directives concernant la protection de l'environnement.

Pour plus de précisions, s'adresser à votre revendeur spécialisé.

Nettoyage.

⚠ AVERTISSEMENT Retirez l'accumulateur avant tout travail d'entretien et de nettoyage. Cette mesure de sécurité préventive exclut un danger de blessure causé par un démarrage non intentionné de l'outil électrique.

⚠ AVERTISSEMENT S'il y a de la poussière conductrice dans l'air lors de l'utilisation de l'appareil, p. ex. lors du traitement de métaux, cette poussière peut se déposer à l'intérieur de l'outil électrique. Soufflez alors régulièrement de l'extérieur de l'air comprimé sec exempt d'huile dans l'intérieur de l'outil électrique à travers les ouïes de ventilation ; utilisez toujours une protection oculaire.

⚠ ATTENTION Ne pas essayer de nettoyer les orifices de ventilation à l'aide d'objets métalliques pointus ; utiliser des outils non-métalliques.

⚠ ATTENTION Ne pas utiliser de détergents ou de solvants qui peuvent endommager les parties en matière plastique. Par exemple : l'essence, le tétrachlorure de carbone, solvants chlorés, l'ammoniaque et produits de nettoyage domestiques contenant de l'ammoniaque.

Transport

Les batteries Lithium-ion sont soumises aux règlements de transport des matières dangereuses. L'utilisateur peut transporter les batteries par voie routière sans mesures supplémentaires.

Lors d'une expédition par tiers (par ex. : transport aérien ou entreprise de transport), les mesures à prendre spécifiques à l'emballage et au marquage doivent être observées. Dans un tel cas, lors de la préparation de l'envoi, il est impératif de faire appel à un expert en transport des matières dangereuses.

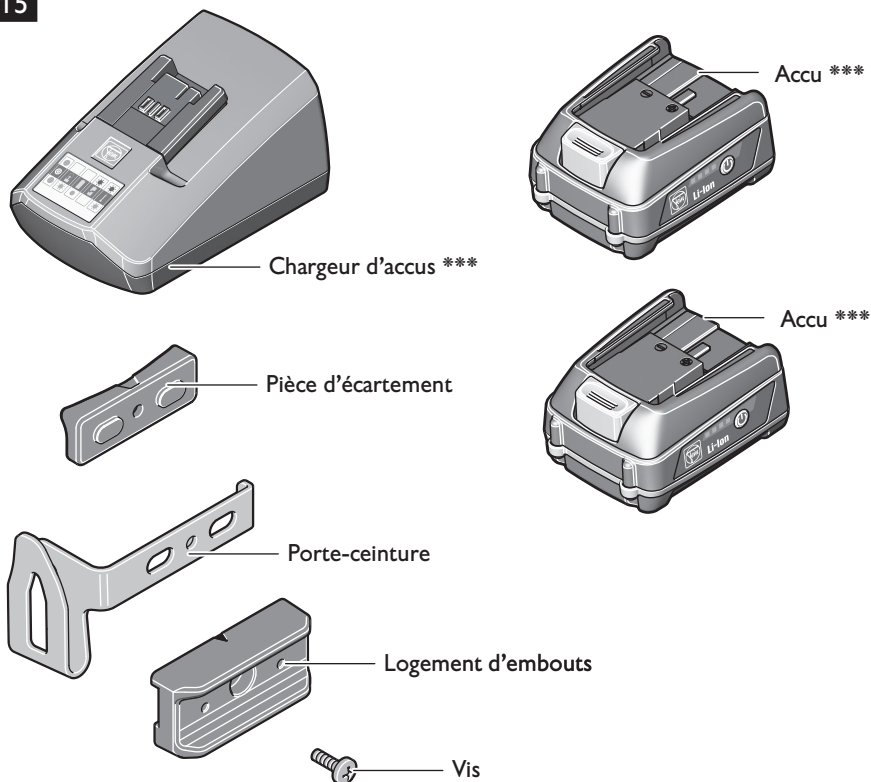
N'expédiez les batteries que si le carter ne présente pas de dommages et aucun liquide ne s'écoule. Veillez à ce que les contacts de la batterie ne puissent pas être court-circuités. Utilisez l'emballage d'origine. Emballez la batterie de manière à ce qu'elle ne se déplace pas dans l'emballage.

Veillez également respecter les réglementations supplémentaires éventuellement en vigueur.

Accessoires fournis (figure 15).

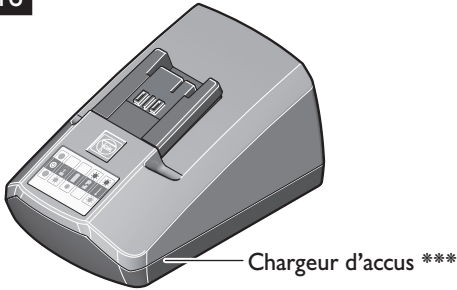
ASCD 12... (**)

Fig. 15



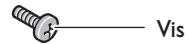
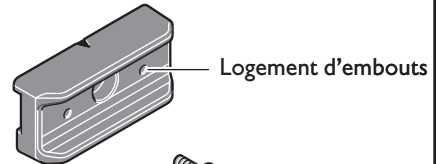
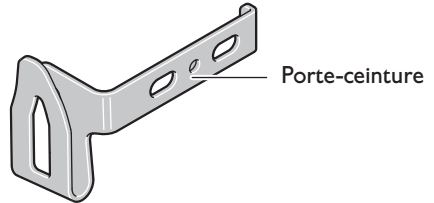
Accessoires fournis (figure 16). ASCD 18... (**)

Fig. 16



ASCD18-200W4 (**)


ASCD18-300W2 (**)



Para su seguridad.

⚠ ADVERTENCIA Lea íntegramente las advertencias de peligro, las instrucciones, las ilustraciones y las especificaciones entregadas con esta herramienta eléctrica. En caso de no atenerse a las instrucciones siguientes, ello puede ocasionar una descarga eléctrica, un incendio y/o una lesión grave.

Guardar todas las advertencias de peligro e instrucciones para futuras consultas.

 No utilice esta herramienta eléctrica sin haber leído antes con detenimiento y haber entendido por completo estas instrucciones de uso, inclusive las ilustraciones, especificaciones, reglas de seguridad, así como las indicaciones identificadas con PELIGRO, ADVERTENCIA y PRECAUCIÓN.

Solamente use esta herramienta eléctrica para realizar los trabajos que FEIN ha previsto para la misma. Únicamente utilice las herramientas y accesorios autorizados por FEIN.

Observe también las respectivas prescripciones contra accidentes de trabajo vigentes en su país.

En caso de no atenerse a las instrucciones de seguridad mencionadas en la documentación previamente citada, ello puede provocar una electrocución, incendio y/o lesión grave.

Guarde estas instrucciones de uso para posteriores consultas y entréguelas al usuario en caso de prestar o vender la máquina.

GUARDAR ESTAS INSTRUCCIONES EN UN LUGAR SEGURO.

El término “herramienta eléctrica” empleado en las siguientes instrucciones de seguridad se refiere a herramientas eléctricas de conexión a la red (con línea) y a herramientas eléctricas accionadas por batería (o sea, sin línea).

Instrucciones generales de seguridad.

1) Seguridad del puesto de trabajo

- a) **Mantenga limpio y bien iluminado su puesto de trabajo.** El desorden o una iluminación deficiente en las áreas de trabajo pueden provocar accidentes.

b) **No utilice la herramienta eléctrica en un entorno con peligro de explosión, en el que se encuentren combustibles líquidos, gases o material en polvo.** Las herramientas eléctricas producen chispas que pueden llegar a inflamar los materiales en polvo o vapores.

c) **Mantenga alejados a los niños y otras personas de su puesto de trabajo al emplear la herramienta eléctrica.** Una distracción le puede hacer perder el control sobre la herramienta eléctrica.

2) Seguridad eléctrica

a) **El enchufe de la herramienta eléctrica debe corresponder a la toma de corriente utilizada. No es admisible modificar el enchufe en forma alguna. No emplear adaptadores en herramientas eléctricas dotadas con una toma de tierra.** Los enchufes sin modificar adecuados a las respectivas tomas de corriente reducen el riesgo de una descarga eléctrica.

b) **Evite que su cuerpo toque partes conectadas a tierra como tuberías, radiadores, cocinas y refrigeradores.** El riesgo a quedar expuesto a una sacudida eléctrica es mayor si su cuerpo tiene contacto con tierra.

c) **No exponga la herramienta eléctrica a la lluvia y evite que penetren líquidos en su interior.** Existe el peligro de recibir una descarga eléctrica si penetran ciertos líquidos en la herramienta eléctrica.

d) **No utilice el cable de red para transportar o colgar la herramienta eléctrica, ni tire de él para sacar el enchufe de la toma de corriente. Mantenga el cable de red alejado del calor, aceite, esquinas cortantes o piezas móviles.** Los cables de red dañados o enredados pueden provocar una descarga eléctrica.

e) **Al trabajar con la herramienta eléctrica a la intemperie utilice solamente cables de prolongación apropiados para su uso en exteriores.** La utilización de un cable de prolongación adecuado para su uso en exteriores reduce el riesgo de una descarga eléctrica.

- f) Si fuese imprescindible utilizar la herramienta eléctrica en un entorno húmedo, es necesario conectarla a través de un fusible diferencial. La aplicación de un fusible diferencial reduce el riesgo a exponerse a una descarga eléctrica.
- 3) Seguridad de personas
- a) Esté atento a lo que hace y emplee la herramienta eléctrica con prudencia. No utilice la herramienta eléctrica si estuviese cansado, ni tampoco después de haber consumido alcohol, drogas o medicamentos. El no estar atento durante el uso de la herramienta eléctrica puede provocarle serias lesiones.
- b) Utilice un equipo de protección personal y en todo caso unas gafas de protección. El riesgo a lesionarse se reduce considerablemente si, dependiendo del tipo y la aplicación de la herramienta eléctrica empleada, se utiliza un equipo de protección adecuado como una mascarilla antipolvo, zapatos de seguridad con suela antideslizante, casco, o protectores auditivos.
- c) Evite una puesta en marcha fortuita. Asegurarse de que la herramienta eléctrica esté desconectada antes de conectarla a la toma de corriente y/o al montar el acumulador, al recogerla, y al transportarla. Si transporta la herramienta eléctrica sujetándola por el interruptor de conexión/desconexión, o si alimenta la herramienta eléctrica estando ésta conectada, ello puede dar lugar a un accidente.
- d) Retire las herramientas de ajuste o llaves fijas antes de conectar la herramienta eléctrica. Una herramienta de ajuste o llave fija colocada en una pieza rotante puede producir lesiones al poner a funcionar la herramienta eléctrica.
- e) Evite posturas arriesgadas. Trabaje sobre una base firme y mantenga el equilibrio en todo momento. Ello le permitirá controlar mejor la herramienta eléctrica en caso de presentarse una situación inesperada.
- f) Lleve puesta una vestimenta de trabajo adecuada. No utilice vestimenta amplia ni joyas. Mantenga su pelo y vestimenta alejados de las piezas móviles. La vestimenta suelta, el pelo largo y las joyas se pueden enganchar con las piezas en movimiento.
- g) Siempre que sea posible utilizar unos equipos de aspiración o captación de polvo, asegúrese que éstos estén montados y que sean utilizados correctamente. El empleo de estos equipos reduce los riesgos derivados del polvo.
- h) No permita que la familiaridad ganada por el uso frecuente de la herramienta eléctrica lo deje creerse seguro e ignorar las normas de seguridad. Una acción negligente puede causar lesiones graves en una fracción de segundo.
- 4) Uso y trato cuidadoso de herramientas eléctricas
- a) No sobrecargue la herramienta eléctrica. Use la herramienta eléctrica prevista para el trabajo a realizar. Con la herramienta eléctrica adecuada podrá trabajar mejor y más seguro dentro del margen de potencia indicado.
- b) No utilice herramientas eléctricas con un interruptor defectuoso. Las herramientas eléctricas que no se puedan conectar o desconectar son peligrosas y deben hacerse reparar.
- c) Saque el enchufe de la red y/o retire el acumulador desmontable de la herramienta eléctrica, antes de realizar un ajuste, cambiar de accesorio o al guardar la herramienta eléctrica. Esta medida preventiva reduce el riesgo a conectar accidentalmente la herramienta eléctrica.
- d) Guarde las herramientas eléctricas fuera del alcance de los niños. No permita la utilización de la herramienta eléctrica a aquellas personas que no estén familiarizadas con su uso o que no hayan leído estas instrucciones. Las herramientas eléctricas utilizadas por personas inexpertas son peligrosas.

- e) Cuide la herramienta eléctrica y los accesorios con esmero. Controle si funcionan correctamente, sin atascarse, las partes móviles de la herramienta eléctrica, y si existen partes rotas o deterioradas que pudieran afectar al funcionamiento de la herramienta eléctrica. Haga reparar estas piezas defectuosas antes de volver a utilizar la herramienta eléctrica.** Muchos de los accidentes se deben a herramientas eléctricas con un mantenimiento deficiente.
- f) Mantenga los útiles limpios y afilados.** Los útiles mantenidos correctamente se dejan guiar y controlar mejor.
- g) Utilice la herramienta eléctrica, accesorios, útiles, etc. de acuerdo a estas instrucciones, considerando en ello las condiciones de trabajo y la tarea a realizar.** El uso de herramientas eléctricas para trabajos diferentes de aquellos para los que han sido concebidas puede resultar peligroso.
- h) Mantenga las empuñaduras y las superficies de las empuñaduras secas, limpias y libres de aceite y grasa.** Las empuñaduras y las superficies de las empuñaduras resbaladizas no permiten un manejo y control seguro de la herramienta eléctrica en situaciones imprevistas.
- 5) Trato y uso cuidadoso de herramientas accionadas por acumulador**
- a) Solamente cargar los acumuladores con los cargadores recomendados por el fabricante.** Existe un riesgo de incendio al intentar cargar acumuladores de un tipo diferente al previsto para el cargador.
- b) Solamente emplee los acumuladores previstos para la herramienta eléctrica.** El uso de otro tipo de acumuladores puede provocar daños e incluso un incendio.
- c) Si no utiliza el acumulador, guárdelo separado de clips, monedas, llaves, clavos, tornillos o demás objetos metálicos que pudieran puentear sus contactos.** El cortocircuito de los contactos del acumulador puede causar quemaduras o un incendio.
- d) La utilización inadecuada del acumulador puede provocar fugas de líquido. Evite el contacto con él. En caso de un contacto accidental enjuagar el área afectada con abundante agua. En caso de un contacto con los ojos recurra además inmediatamente a un médico. El líquido del acumulador puede irritar la piel o producir quemaduras.**
- e) No emplee acumuladores o útiles dañados o modificados.** Los acumuladores dañados o modificados pueden comportarse en forma imprevisible y producir un fuego, explosión o peligro de lesión.
- f) No exponga un acumulador o una herramienta eléctrica al fuego o a una temperatura demasiado alta.** La exposición al fuego o a temperatura sobre 130 °C puede causar una explosión.
- g) Siga todas las instrucciones para la carga y no cargue nunca el acumulador o la herramienta eléctrica a una temperatura fuera del margen correspondiente especificado en las instrucciones.** Una carga inadecuada o a temperaturas fuera del margen especificado puede dañar el acumulador y aumentar el riesgo de incendio.
- 6) Servicio**
- a) Únicamente haga reparar su herramienta eléctrica por un profesional, empleando exclusivamente piezas de repuesto originales.** Solamente así se mantiene la seguridad de la herramienta eléctrica.
- b) No repare los acumuladores dañados.** El entretenimiento de los acumuladores sólo debe ser realizado por el fabricante o un servicio técnico autorizado.

Instrucciones de seguridad especiales.

Sujete la herramienta eléctrica por las áreas de agarre aisladas al realizar trabajos en los que el tornillo pueda tocar líneas eléctricas ocultas. El contacto del tornillo con conductores bajo tensión puede hacer que las partes metálicas del aparato le provoquen una descarga eléctrica.

Preste atención a los conductores eléctricos y a las tuberías de agua y gas ocultas. Antes de comenzar a trabajar explore la zona de trabajo, p. ej., con un detector de metales.



Al trabajar utilizar un protector acústico.

Utilice un equipo de protección personal. Dependiendo del trabajo a realizar use una careta, una protección para los ojos, o unas gafas de protección. Si procede, emplee una mascarilla antipolvo, protectores auditivos, guantes de protección o un mandil especial adecuado para protegerle de los pequeños fragmentos que pudieran salir proyectados al desprenderse del útil o pieza. Las gafas de protección deberán ser indicadas para protegerle de los fragmentos que pudieran salir despedidos al trabajar. La mascarilla antipolvo o respiratoria deberá ser apta para filtrar las partículas producidas al trabajar. La exposición prolongada al ruido puede provocar sordera.

Asegure la pieza de trabajo. Una pieza de trabajo queda sujeta de forma mucho más segura con un dispositivo de fijación que con la mano.

Sujete firmemente la herramienta eléctrica. Pueden presentarse súbitamente unos altos pares de reacción.

No trabaje materiales que contengan magnesio. Podría provocar un incendio.

No trabaje CFRP (plástico reforzado con fibras de carbono) ni material que contenga amianto. Estos materiales son cancerígenos.

Esta prohibido fijar rótulos o señales a la herramienta eléctrica con tornillos o remaches. Un aislamiento dañado no le protege de una electrocución. Emplee etiquetas autoadhesivas.

No use accesorios que no hayan sido especialmente desarrollados u homologados por el fabricante de la herramienta eléctrica. El mero hecho de que sea montable un accesorio en su herramienta eléctrica no es garantía de que su funcionamiento sea seguro.

Antes de cada uso asegúrese que el útil esté sujeto de forma segura. En los portaútiles de cuadrado con taladro cuidar además que el útil encaje de forma segura en el eje. Los útiles sueltos o sujetos de forma insegura se pueden aflojar o salir despedidos. Ello puede acarrear lesiones.

Limpie periódicamente las rejillas de refrigeración de la herramienta eléctrica empleando herramientas que no sean de metal. El ventilador del motor aspira polvo hacia el interior de la carcasa. En caso de acumularse polvo de metal en exceso, ello puede provocar al usuario una descarga eléctrica.

Jamás mire a poca distancia hacia la luz de la lámpara de la herramienta eléctrica. Nunca dirija la luz de la lámpara contra los ojos de otras personas que se encuentren cerca. La radiación que emite la lámpara puede ser dañina para la vista.

No oriente la herramienta eléctrica contra Ud. mismo, contra otras personas, ni contra animales. Podría accidentarse con los útiles afilados o muy calientes.

Desconecte inmediatamente la herramienta eléctrica si se bloquea el útil. No vuelva a conectar la herramienta eléctrica estando el útil bloqueado; ello podría crear un contragolpe con un gran torque de reacción. Investigue y elimine la causa del bloqueo del útil teniendo en cuenta en ello las indicaciones de seguridad. Causas posibles:

- El útil ha sido ladeado en la pieza de trabajo
- El material procesado ha sido traspasado
- La herramienta eléctrica ha sido sobrecargada.

Utilización y trato de acumuladores (conjunto acumulador)

Para no exponerse a un riesgo de quemadura, incendio, explosión, lesiones de la piel o de otro tipo, al manipular acumuladores, atégase a las siguientes indicaciones:

Los acumuladores no deben desarmarse, abrirse, ni fraccionarse. Evite golpear los acumuladores. Si el acumulador se daña o usa de forma inapropiada puede que se emanen vapores nocivos o se fugue líquido. Los vapores pueden irritar las vías respiratorias. El líquido del acumulador puede irritar la piel o producir quemaduras.

Si el líquido que se ha fugado del acumulador ha contaminado las piezas adyacentes, controle dichas piezas y límpielas o sustitúyalas, si procede.

No esponga el acumulador ni al calor ni al fuego. No esponga el acumulador directamente al sol.

Únicamente saque el acumulador del empaque original en el momento que desee utilizarlo.

Desmunte el acumulador antes de manipular en la herramienta eléctrica. La puesta en marcha fortuita de la herramienta eléctrica puede causar un accidente.

Solamente monte la batería estando desconectada la herramienta eléctrica.

Solamente desmunte el acumulador estando desconectada la herramienta eléctrica.

Mantenga los acumuladores fuera del alcance de los niños.

Mantenga limpio el acumulador y protéjalo de la humedad y del agua. Si los contactos del acumulador y de la herramienta eléctrica están sucios límpielos con un paño seco y limpio.

Solamente use los acumuladores originales FEIN previstos para su herramienta eléctrica. Si se utilizan o recargan acumuladores incorrectos, dañados, reparados, recuperados, imitaciones o de otra marca, existe el riesgo de incendio y/o de explosión.

Atégase a las instrucciones de seguridad mencionadas en las instrucciones de uso del cargador del acumulador.

Tratamiento de materiales en polvo peligrosos.

⚠ ADVERTENCIA Al trabajar con herramientas, p. ej., al lijar, pulir, serrar o realizar otros trabajos con arranque de material, los polvos que se producen pueden ser nocivos para la salud, autoinflamables o explosivos.

El contacto o inspiración de ciertos materiales en polvo puede provocar en el usuario, o en las personas circundantes, reacciones alérgicas y/o enfermedades respiratorias, cáncer, daños congénitos u otros trastornos reproductivos.

A continuación, indicamos algunos de estos materiales junto con los productos químicos que contienen, cuyo polvo producido al trabajar, puede ser nocivo para la salud:

- Amianto y materiales que contengan amianto;
- Pinturas que contengan plomo, ciertos tipos de madera como, p. ej., haya, encino y roble;
- Minerales y metales;
- Partículas de sílice de ladrillo, concreto y demás materiales que contengan mineral;
- Los solventes que contienen ciertas pinturas;
- Arsénico, cromo y otros conservadores de la madera;
- Materiales para combatir parásitos en cascos de botes o barcos;
- Polvos de acero inoxidable, de metales y de metales no férricos.

Para que la exposición a estos materiales sea mínima:

- Utilice un equipo de aspiración apropiado para el polvo producido.
- Use equipos de protección personal como, por ejemplo, una mascarilla guardapolvo con un filtro de la clase P2.
- Observe que esté bien ventilado el puesto de trabajo.

El riesgo derivado de la inspiración de polvo depende de la frecuencia con la que se procesen estos materiales. Los materiales que contengan amianto solamente deberán ser procesados por especialistas.

⚠ ATENCIÓN El polvo de madera y el de aleaciones ligeras puede autoinflamarse o provocar una explosión.

Si en el saco filtrante o en el filtro del aspirador, el polvo caliente producido al lijar se mezcla con restos de pintura, poliuretano, u otras materias químicas, puede que ésta se autoincendie bajo condiciones desfavorables como, p. ej., el salto de chispas al lijar metales, la exposición permanente y directa al sol, o una temperatura ambiente elevada. Para prevenir esta situación:

- Evite que se sobrecalienten la pieza de trabajo y la herramienta eléctrica.
- Vacíe el depósito de polvo con suficiente antelación.
- Observe las instrucciones de elaboración del fabricante del material.
- Considere las prescripciones vigentes en su país sobre los materiales a trabajar.

Vibraciones en la mano/brazo.

⚠ ADVERTENCIA Al trabajar con esta herramienta eléctrica se producen vibraciones en la mano y el brazo. Ello puede llegar a afectar su salud.

⚠ ADVERTENCIA Las vibraciones generadas durante la aplicación actual de la herramienta eléctrica puede ser diferente del valor indicado, según el modo en que sea utilizada la herramienta.

⚠ ADVERTENCIA Con el fin de proteger al usuario, es necesario fijar medidas de seguridad en base a una estimación de la exposición resultante bajo las condiciones de uso actuales.

El nivel de vibraciones indicado en estas instrucciones ha sido determinado según el procedimiento de medición fijado en la norma EN 62841 y puede servir como base de comparación con otras herramientas eléctricas. También es adecuado para estimar provisionalmente la solicitación experimentada por las vibraciones.

El nivel de vibraciones indicado ha sido deter-

minado para las aplicaciones principales de la herramienta eléctrica. Por ello, el nivel de vibraciones puede ser diferente si la herramienta eléctrica se utiliza para otras aplicaciones, con útiles diferentes, o si el mantenimiento de la misma fuese deficiente. Ello puede suponer un aumento drástico de la solicitación por vibraciones durante el tiempo total de trabajo.

Para determinar con exactitud la solicitación experimentada por las vibraciones, es necesario considerar también aquellos tiempos en los que el aparato esté desconectado, o bien, esté en funcionamiento, pero sin ser utilizado realmente. Ello puede suponer una disminución drástica de la solicitación por vibraciones durante el tiempo total de trabajo.

Fije unas medidas de seguridad adicionales para proteger al usuario de los efectos por vibraciones, como por ejemplo: Mantenimiento de la herramienta eléctrica y de los útiles, conservar calientes las manos, organización de las secuencias de trabajo.

Emisión de ruidos y vibraciones (indicación de dos cifras según ISO 4871)

Emisión de ruido	ASCD12- 100W4 (**)	ASCD12- 150W4 (**)	ASCD12- 150W8 (**)	ASCD18- 200W4 (**)	ASCD18- 300W2 (**)	ASCD18- 1000W34 (**)
Nivel de de presión sonora L_{pA} (re 20 μ Pa), medido con filtro A en el puesto de trabajo, en decibelios	93.8	91.5	90.2	93.8	96.1	93.6
Inseguridad K_{pA} , en decibelios	3	3	3	3	3	3
Nivel de potencia acústica L_{wA} (re 1 pW), medido con filtro A, en decibelios	104.8	102.5	101.2	104.8	107.1	104.6
Inseguridad K_{wA} , en decibelios	3	3	3	3	3	3
Valor pico del nivel de presión sonora L_{pCpeak} medido con filtro C en el puesto de trabajo, en decibelios	112.0	111.7	113.7	114.5	118.2	119.5

Emisión de ruido	ASCD12- 100W4 (**)	ASCD12- 150W4 (**)	ASCD12- 150W8 (**)	ASCD18- 200W4 (**)	ASCD18- 300W2 (**)	ASCD18- 1000W34 (**)
Inseguridad K_{pCpeak} en decibelios	3	3	3	3	3	3
Vibración						
Media aritmética del nivel total de vibra- ciones						
- ft/s^2	47.4	31.8	29.8	42.3	52.8	42.3
- m/s^2	14.5	9.7	9.1	12.9	16.1	12.9
Inseguridad K , en						
- ft/s^2	4.9	4.9	4.9	4.9	4.9	4.9
- m/s^2	1.5	1.5	1.5	1.5	1.5	1.5

OBSERVACIÓN: la suma de los valores emitidos medidos, considerando la inseguridad respectiva, representa el límite superior que puede alcanzarse en las mediciones.



¡Utilizar unos protectores acústicos!





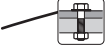
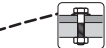
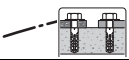
Valores de medición determinados según normativa del producto pertinente.

Utilización reglamentaria de la herramienta eléctrica:

llave de impacto portátil para enroscar y aflojar tornillos y tuercas con útiles y accesorios homologados por FEIN en lugares cubiertos sin la aportación de agua.

Simbología.

Símbolo	Definición
	No tocar las piezas en rotación de la herramienta eléctrica.
	Es imprescindible leer los documentos que se adjuntan, como las instrucciones de servicio y las instrucciones generales de seguridad.
	¡Seguir las instrucciones indicadas al margen!
	Símbolo de prohibición general. Esta acción está prohibida.
	Antes de efectuar el trabajo descrito retire primero el acumulador de la herramienta eléctrica. De lo contrario, podría accidentarse al ponerse en marcha fortuitamente la herramienta eléctrica.
	Al trabajar protegerse los ojos.
	Al trabajar utilizar un protector acústico.
	Al trabajar utilizar una protección para las manos.
	No cargue baterías defectuosas.
	No exponga el acumulador al fuego. Proteja el acumulador del calor, p. ej., de una exposición prolongada al sol.
	¡Seguir las instrucciones indicadas al margen!
	Conexión
	Desconexión
	Este símbolo confirma que este producto ha sido certificado en USA y Canadá.
	Atestigua la conformidad de la herramienta eléctrica con las directivas de la Comunidad Europea.
	Este símbolo advierte sobre una situación peligrosa inminente. Un comportamiento incorrecto puede dar lugar a una lesión grave o incluso mortal.
	Este símbolo advierte sobre una situación peligrosa que puede comportar lesiones graves o mortales.
	Este símbolo advierte sobre una situación peligrosa en la que pudiera lesionarse.
	Símbolo de reciclaje: identificación de materiales reciclables
	Acumular por separado las herramientas eléctricas y demás productos electrotécnicos y eléctricos inservibles y someterlos a un reciclaje ecológico.
	Tipo de batería

Símbolo	Definición
	Tipo de cargador
	Baja velocidad
	Alta velocidad
	Atención: ¡No mirar hacia la lámpara encendida!
	Curva de torque en bases de asiento rígidas, p. ej., tornillos y tuercas con arandelas (depende del diámetro y resistencia del tornillo)
	Curva de torque en bases de asiento elásticas, p. ej., rines de carro, anillos elásticos, arandelas cónicas, espárragos, prolongadores
	Curva de torque en bases de asiento blandas, p. ej. madera (depende del diámetro y longitud del tornillo), arandelas de plomo o de fibra
*	La herramienta eléctrica puede operarse también con tensiones de 12 V y 14,4 V pero con unos datos de potencia diferentes.
(**)	Puede contener cifras o letras
***	equipamiento suministrado en parte
(Ax - Zx)	Identificación para fines internos

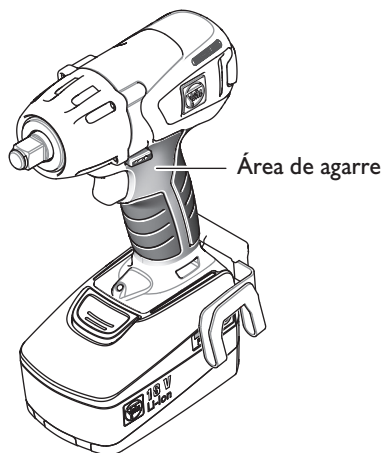
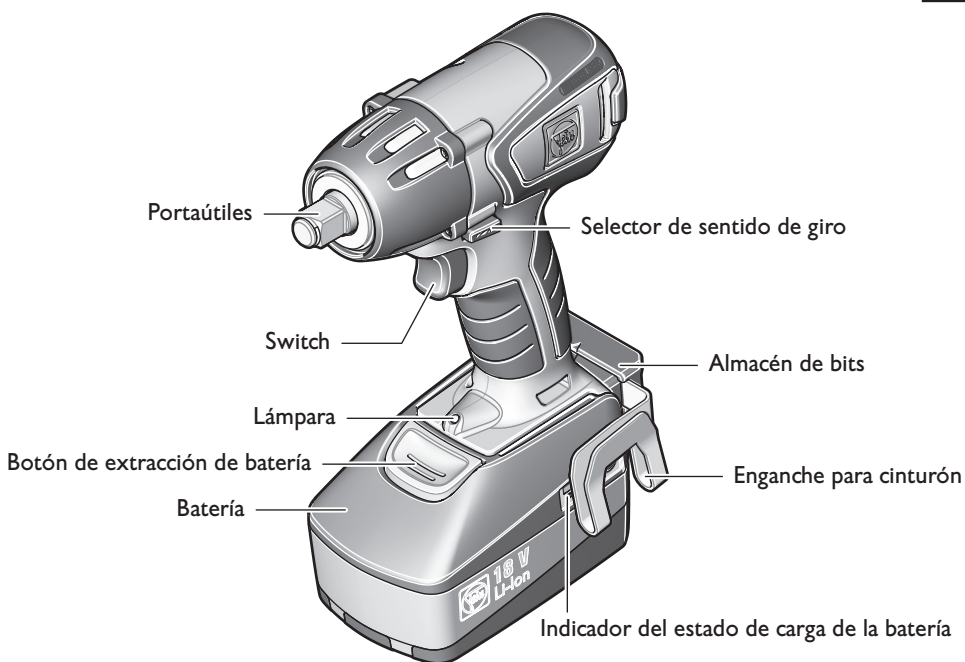
Símbolo	Unidad nacional	Definición
n_0	rpm; /min; min^{-1} ; r/min	Velocidad en vacío (con batería plenamente cargada)
P	W	Unidad de medida de la potencia
	°	Unidad de medida del ángulo
U	V ₋₋₋	Unidad de medida de la tensión eléctrica
f	Hz	Unidad de medida de la frecuencia
I	A	Unidad de medida de la intensidad
m	kg, lbs	Unidad de medida de la masa
l	ft, in	Unidad de medida para la longitud, ancho, altura, profundidad, diámetro o roscas
\varnothing	ft, in	Diámetro de una pieza redonda
$K...$		Incertidumbre
a	m/s^2	Nivel de vibraciones generadas según EN 62841 (suma vectorial de tres direcciones)
	m, s, kg, A, mm, V, W, Hz, N, °C, dB, min, m/s^2	Unidades básicas y unidades derivadas del sistema internacional de unidades SI .

Descripción técnica y especificaciones.

⚠ ADVERTENCIA **Desmonte la batería antes de montar o cambiar los útiles y accesorios.** Esta medida de seguridad preventiva evita los accidentes que pudieran presentarse en caso de una puesta en marcha involuntaria.

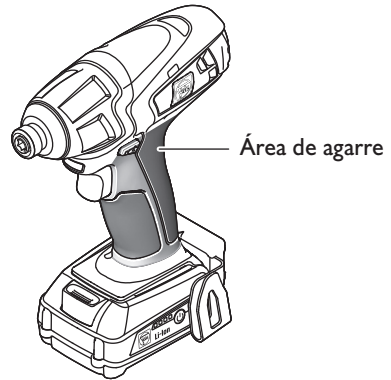
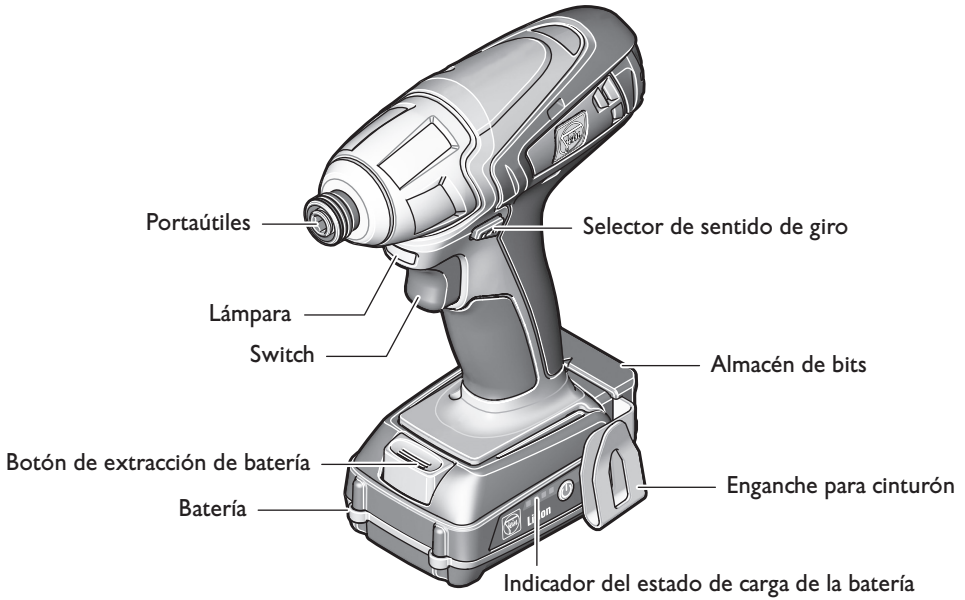
El material de serie suministrado con su herramienta eléctrica puede que no corresponda en su totalidad al material descrito o mostrado en estas instrucciones de servicio.

Fig. 1



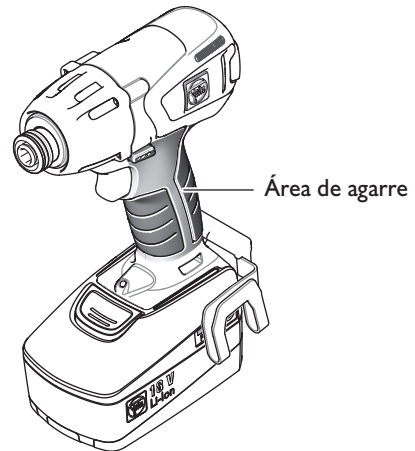
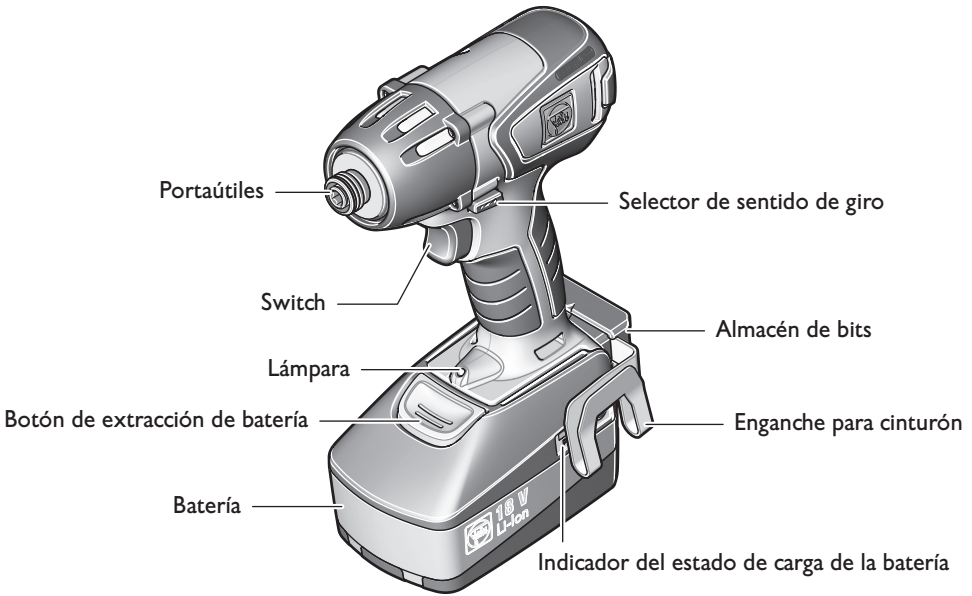
ASCD12-150W8 ()**
ASCD18-300W2 ()**

Fig. 2



ASCD12-100W4 ()**

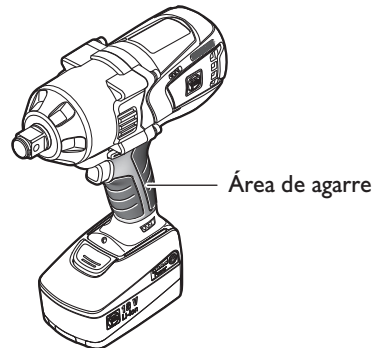
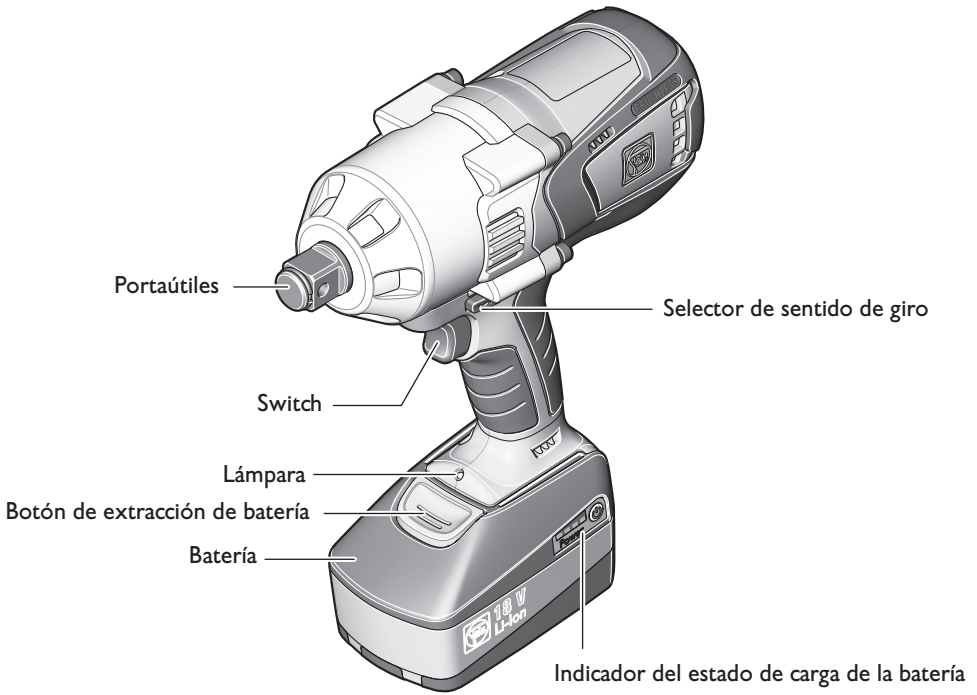
Fig. 3



ASCD12-150W4 ()**




ASCD18-200W4 ()**

Fig. 4



ASCD18-1000W34 ()**

Tipo	ASCD12-100W4 (**)	ASCD12-150W4 (**)	ASCD12-150W8 (**)	ASCD18-200W4 (**)	ASCD18-300W2 (**)	ASCD18-1000W34 (**)
Nº de referencia	7 115 ...	7 115 ...	7 115 ...	7 115 ...	7 115 ...	7 115 ...
Tensión nominal	12 V \equiv	12 V \equiv	12 V \equiv	18 V \equiv *	18 V \equiv *	18 V \equiv *
Revoluciones en vacío	0-2700 /min	0-1700 /min	0-1800 /min	0-1500 /min	0-1700 /min	0-1800 /min
Frecuencia de percusión	0-3450 /min	0-3400 /min	0-3600 /min	0-3000 /min	0-3400 /min	0-2200 /min
Torque (unión atornillada rígida/blanda)	74 ft-lbs/100 Nm	100 ft-lbs/135 Nm	100 ft-lbs/135 Nm	155 ft-lbs/210 Nm	214 ft-lbs/290 Nm	780 ft-lbs/1050 Nm
Portátiles con hexágono interior						
Portátiles con cuadrado externo	1/4"○	1/4"○	3/8"■	1/4"○	1/2"■	3/4"■
Peso según EPTA-Procedure 01 (herramienta eléctrica sin batería y sin útil)	1.98 lbs (0.9 kg)	1.87 lbs (0.85 kg)	1.87 lbs (0.85 kg)	2.20 lbs (1.0 kg)	2.20 lbs (1.0 kg)	6.61 lbs (3.0 kg)

Tipo	B12A	B18A	B18A
			
Tipo de batería	Iones-Litio (Li-Ion)	Iones-Litio (Li-Ion)	Iones-Litio (Li-Ion)
Tensión nominal	12 V \equiv	18 V \equiv	18 V \equiv
Peso según EPTA-Procedure 01 (Batería)	0.55 lbs (0.25 kg)	1.00 lbs (0.45 kg)	1.54 lbs (0.70 kg)
Tipo de cargador		ALG 30, ALG 50, ALG 80 (**)	

Instrucciones de montaje.

⚠ ADVERTENCIA **Desmonte la batería antes de montar o cambiar los útiles y accesorios.** Esta medida de seguridad preventiva evita los accidentes que pudieran presentarse en caso de una puesta en marcha involuntaria.

Desmontaje y carga de la batería (Figura 5).

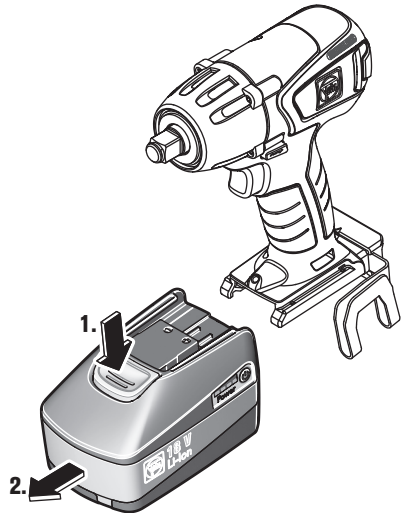
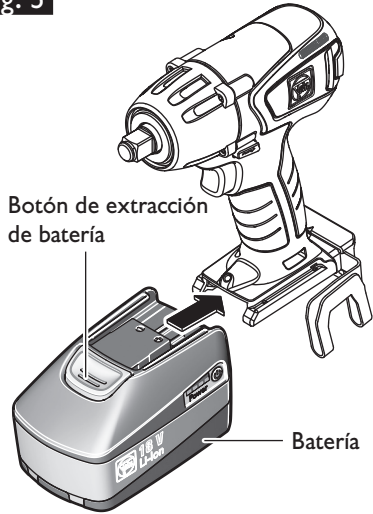
- ❗ Lea las instrucciones de uso del cargador antes de cargar por primera vez la batería.
- ❗ Antes de la puesta en marcha, cargue completamente la batería.

Libere la batería presionando el botón de extracción y sáquela hacia delante de la agarradera. No proceda con brusquedad.

Conecte el cargador al enchufe, inserte en éste la batería y cargue la batería. Una vez finalizado el proceso de carga monte la batería en la herramienta eléctrica y saque la clavija del cargador del enchufe.

Una batería nueva alcanza su plena potencia después de haber sido cargada y descargada varias veces.

Fig. 5



Trato del acumulador.

Guarde, utilice y cargue la batería dentro del rango de operación de 5°C a 45°C (41°F a 113°F), y cárguela exclusivamente con cargadores FEIN. Al comenzar a cargar la batería, su temperatura deberá estar dentro del rango especificado para su operación.

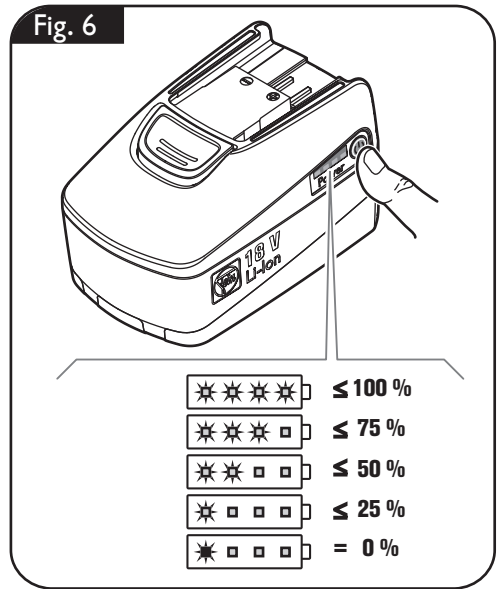
Indicador del estado de carga de la batería (Figura 6).

Pulse la tecla para activar el indicador LED.

Indicador LED	Significado	Acción
1 – 4 LED verdes	Nivel porcentual de carga	Operación
Luz roja permanente	Acumulador casi vacío	Cargar acumulador
Luz roja intermitente	El acumulador no está listo para funcionar	Procure que la temperatura del acumulador se encuentre dentro del margen de operación, y cárguelo a continuación

El porcentaje del estado de carga real del acumulador solamente se indica estando detenido el motor de la herramienta eléctrica.

Antes de que el acumulador llegue a descargarse excesivamente, el sistema electrónico desconecta el motor de forma automática.



Montaje del enganche para cinturón y del almacén de bits

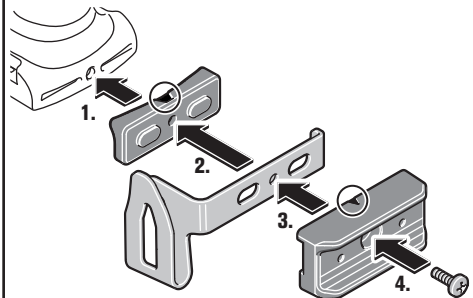
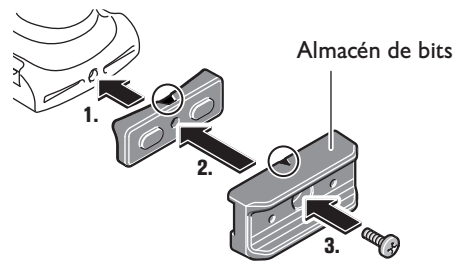
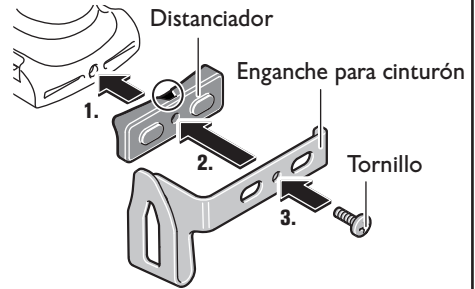
ASCD12-100W4 ()**
ASCD12-150W4 ()**
ASCD12-150W8 ()**
ASCD18-300W2 ()**
ASCD18-300W4 ()**
(Figura 7).

Para montar el enganche para cinturón coloque éste y el distanciador en el orden y posición correctos y sujete ambos con el tornillo.

Para montar el almacén de bits coloque éste y el distanciador en el orden y posición correctos y sujete ambos con el tornillo.

Para montar el enganche para cinturón junto con el almacén de bits, coloque éstos y el distanciador en el orden y posición correctos y sujete todos ellos con el tornillo.

Fig. 7



Cambio de útil

⚠ ADVERTENCIA Desmonte la batería antes de montar o cambiar los útiles y accesorios. Esta medida de seguridad preventiva evita los accidentes que pudieran presentarse en caso de una puesta en marcha involuntaria.

Montaje del útil (Figura 8).

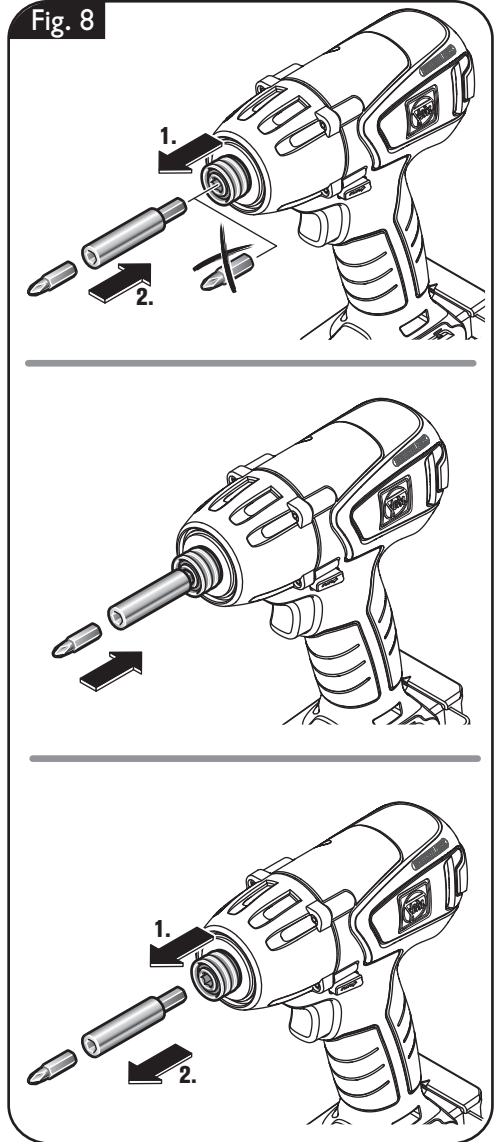
ASCD12-100W4 ()**

ASCD12-150W4 ()**

ASCD18-200W4 ()**

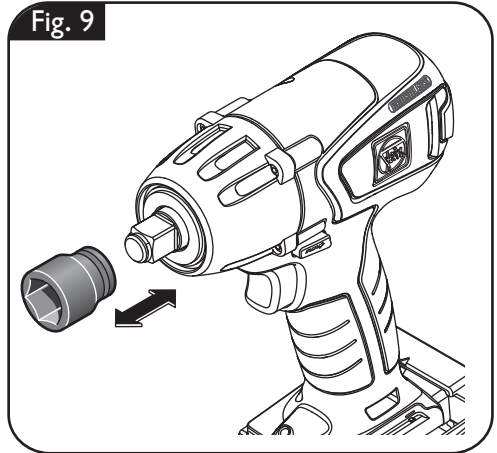
Jale hacia delante el casquillo.

A continuación, monte el útil deseado.



Montaje del útil (Figura 9).**ASCD12-150W8 (**)****ASCD18-300W2 (**)****ASCD18-1000W34 (**)**

Inserte la llave de vaso hasta el tope en el cuadrado.



Instrucciones para la operación.

⚠ ADVERTENCIA **Desmonte la batería antes de montar o cambiar los útiles y accesorios.** Esta medida de seguridad preventiva evita los accidentes que pudieran presentarse en caso de una puesta en marcha involuntaria.

No aplique accesorios que no hayan sido especialmente previstos o recomendados por FEIN para esta herramienta eléctrica. La utilización de accesorios que no sean originales FEIN provocan un sobrecalentamiento y deterioro de la herramienta eléctrica.

⚠ ATENCIÓN Solamente use los útiles que FEIN haya previsto y autorizado para el trabajo que vaya a realizar.

Ajuste del torque (Figura 10).

ASCD12-150W4 ()**

ASCD12-150W8 ()**

ASCD18-200W4 ()**

ASCD18-300W2 ()**

ASCD18-100034W ()**

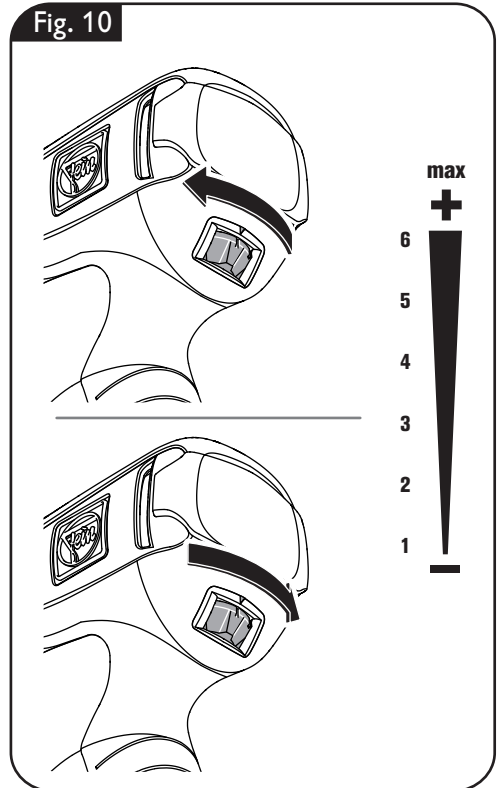
Solamente ajuste el par con el motor detenido.

El margen de ajuste del torque es apropiado para tornillos pequeños a medianos.

El par de apriete obtenido depende además de la fuerza con la que es presionada la herramienta eléctrica contra el tornillo.

- Torque pequeño: tornillos pequeños
- Torque grande: tornillos grandes

Determine probando el torque que debe ajustar para enroscar los tornillos al ras con el material.

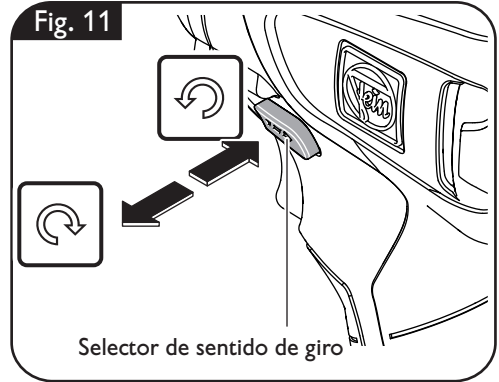


Selección del sentido de giro (Figura 11).

Coloque el selector de sentido de giro en la posición central para evitar una puesta en marcha accidental, p. ej., durante el transporte.

Ajuste el sentido de giro deseado con el selector del sentido de giro.

! Únicamente accione el selector del sentido de giro con el motor detenido.



Conexión y desconexión (Figura 12).

⚠ ATENCIÓN Siempre sujete firmemente la herramienta eléctrica. En caso contrario podría perder el control sobre la herramienta eléctrica.

⚠ ADVERTENCIA Peligro de quemadura. El útil en funcionamiento se puede poner muy caliente. Deje que el útil se enfríe:

- después de depositar la herramienta eléctrica
- antes de cambiar de útil.

En caso de sobrecarga se desconecta la herramienta eléctrica.

Si la herramienta eléctrica se ha sobrecalentado ello se señaliza mediante el parpadeo del LED de la agarradera.

Solamente aplique la herramienta eléctrica desconectada contra la tuerca o tornillo, ya que el útil en funcionamiento puede resbalar.

Al atornillar y desatornillar mantenga la herramienta eléctrica perpendicular a la cabeza del tornillo.

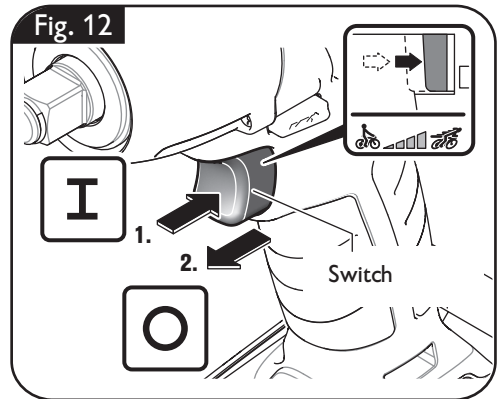
Si la herramienta eléctrica se aplica manteniéndola inclinada se puede dañar la cabeza del tornillo y la fuerza no es transmitida al tornillo.

Conexión:

Accione el switch. Las revoluciones van aumentando en la misma medida en que se va presionando el switch.

Desconexión:

Para la desconexión soltar el switch.

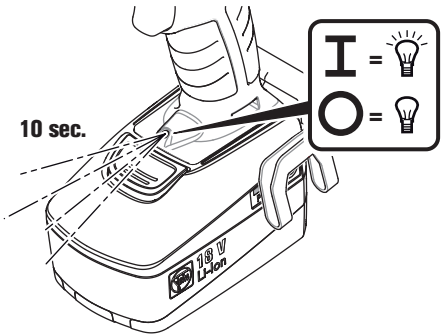
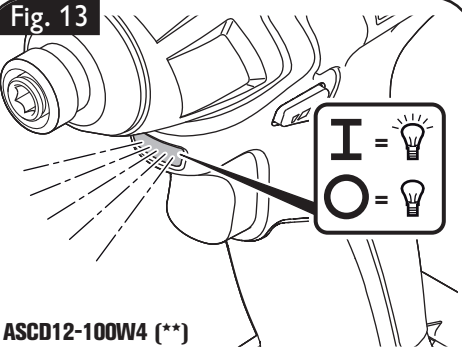


Iluminación (Figura 13).

⚠ ADVERTENCIA Jamás mire a poca distancia hacia la luz de la lámpara de la herramienta eléctrica. Nunca dirija la luz de la lámpara contra los ojos de otras personas que se encuentren cerca. La radiación que emite la lámpara puede ser dañina para la vista.

Al accionar el switch se enciende la lámpara.

Al soltar el switch la lámpara se mantiene todavía encendida brevemente y se desconecta después automáticamente.



Tiempo de impacto (Figura 14).

Un intervalo de impacto más largo de lo necesario desgasta más rápido la herramienta eléctrica.

Determine el tiempo de impacto para la respectiva unión atornillada y cheque el par de apriete obtenido con una llave de torque.

En el diagrama se muestran valores orientativos para el tiempo de impacto.

Ajuste recomendado en la llave de impacto:

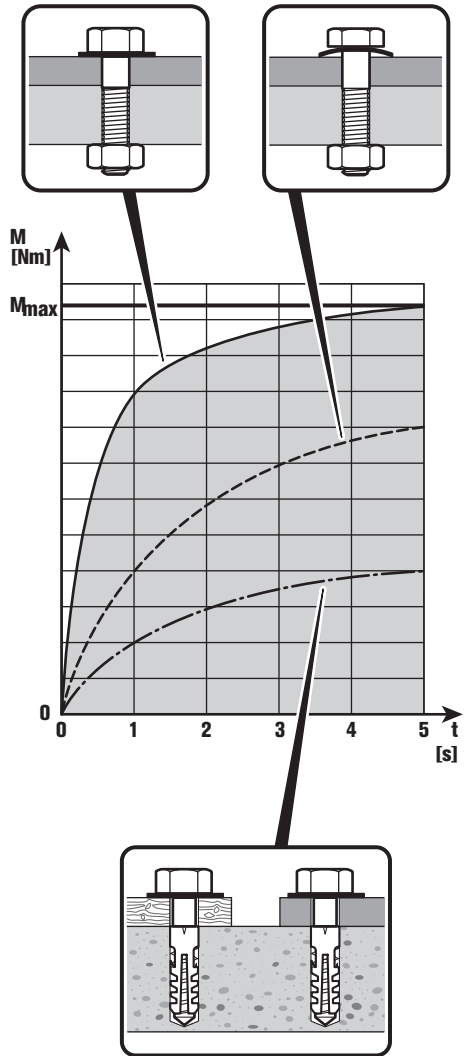
ASCD18-1000W34 (**)	
Etapas	Máx. [ft-lbs]
6	780
5	670
4	560
3	450
2	340
1	230

ASCD18-1000W34 ():** Si usa un adaptador de reducción de 3/4 in a 1/2 in, solo use la llave de impacto como máximo hasta la etapa 3 (600 Nm).

ASCD18-300W2 (**)	
Etapas	Máx. [ft-lbs]
6	214
5	155
4	100
3	63
2	37
1	18

ASCD12-150W8 (**)	
Etapas	Máx. [ft-lbs]
6	100
5	63
4	37
3	18
2	7
1	4

Fig. 14



Reparación y servicio técnico.

Piezas sustituibles.

Si fuese preciso, puede sustituir Ud. mismo las piezas siguientes:

Útiles, batería, enganche para cinturón, almacén de bits

Servicio técnico.

ADVERTENCIA Únicamente deje realizar los trabajos de mantenimiento

por un profesional. Las líneas y componentes mal montados pueden suponer un grave peligro. Deje efectuar el servicio requerido por un servicio técnico FEIN.

Los productos que hayan tenido contacto con asbesto no se harán reparar. Deseche los productos contaminados con asbesto de acuerdo a las prescripciones vigentes en su país sobre la eliminación de residuos que contengan asbesto.

La lista de piezas de refacción actual para esta herramienta eléctrica la encuentra en internet bajo www.fein.com.

Solo emplee refacciones originales.

Limpieza.

ADVERTENCIA **Desmonte la batería antes de realizar trabajos de mantenimiento y limpieza.** Esta medida de seguridad preventiva evita los accidentes que pudieran presentarse en caso de una puesta en marcha involuntaria.

ADVERTENCIA **Al trabajar en ambientes cargados con polvo conductor de corriente, p. ej., en lugares que procesen metales, este polvo puede llegar a depositarse en el interior de la herramienta eléctrica. Por ello, sople con regularidad desde afuera aire comprimido seco por las rejillas de refrigeración para limpiar el interior de la herramienta eléctrica; utilice siempre unos lentes de protección.**

ATENCIÓN No intente limpiar las rejillas de refrigeración de la herramienta eléctrica con objetos metálicos en punta, emplee para ello objetos que no sean de metal.

ATENCIÓN **No aplique agentes de limpieza ni disolventes que pudieran atacar a las piezas de plástico.** Algunos de estos agentes son: gasolina, tetracloruro de carbono, disolventes clorados, amoníaco y detergentes domésticos que contengan amoníaco.

Garantía.

La garantía del producto se realiza de acuerdo a las regulaciones legales vigentes en el país de adquisición. Adicionalmente, FEIN ofrece una garantía ampliada de acuerdo con la declaración de garantía del fabricante FEIN.

El material de serie suministrado con su herramienta eléctrica puede que no corresponda en su totalidad al material descrito o mostrado en estas instrucciones de servicio.

Protección del medio ambiente, eliminación.

Los embalajes, y las herramientas eléctricas y accesorios inservibles deberán entregarse a los puntos de recogida correspondientes para que puedan ser sometidos a un reciclaje ecológico. Informaciones adicionales al respecto las obtiene en su comercio especializado habitual.

Transport

Los acumuladores de iones de litio incorporados están sujetos a los requerimientos estipulados en la legislación sobre mercancías peligrosas. Los acumuladores pueden ser transportados por carretera por el usuario sin más imposiciones.

En el envío por terceros (p. ej., transporte aéreo o por agencia de transportes) deberán considerarse las exigencias especiales en cuanto a su embalaje e identificación. En este caso deberá recurrirse a los servicios de un experto en mercancías peligrosas al preparar la pieza para su envío.

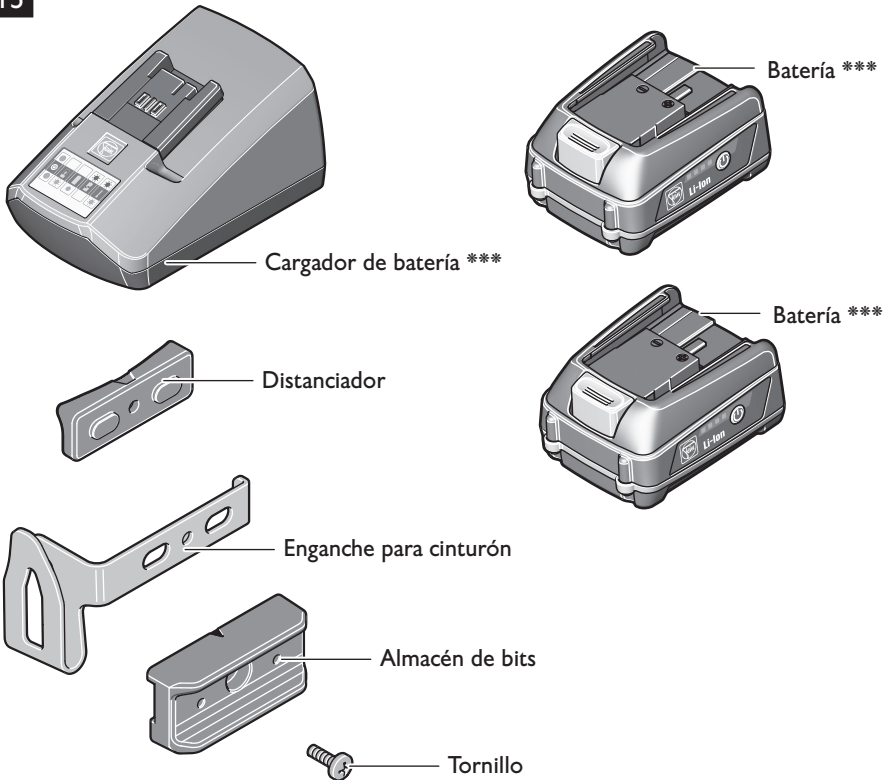
Solo envíe baterías cuya carcasa no esté dañada y que no pierdan líquido. Asegúrese que los contactos de la batería no puedan llegar a cortocircuitarse. Emplee el empaque original. Empaque la batería de manera que no pueda moverse dentro del empaque.

Observe también las prescripciones adicionales que pudieran existir al respecto en su país.

Accesorios incluidos en el suministro (Figura 15).

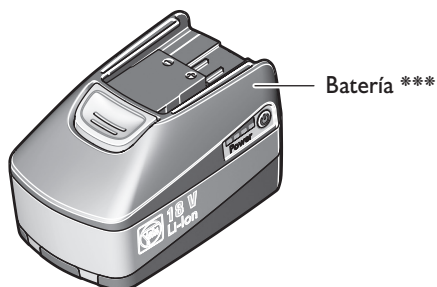
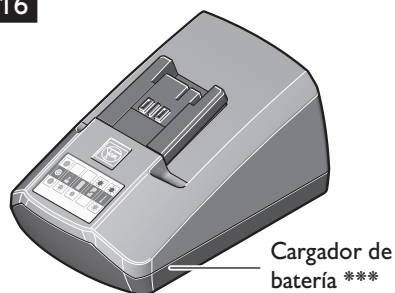
ASCD 12... (**)

Fig. 15



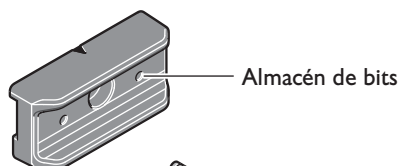
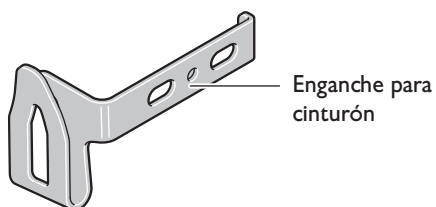
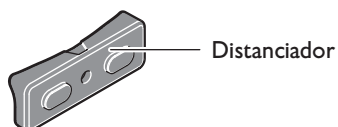
Accesorios incluidos en el suministro (Figura 16). ASCD 18... (**)

Fig. 16



ASCD18-200W4 (**)

ASCD18-300W2 (**)





ASCD 12-100W34; ASCD 18-100W34:
Conforms to/Conforme à/En conformidad con

UL62841-1:2015 Ed.1+R:13 Apr2018;

UL62841-2-2:2016 Ed.1+R:28 Jul2017

ASCD 12-100W34:

Certified to/Certifié à/Certificado según

CSA C22.2 no. 62841-1:2015 Ed.1 +U1; U2 +

CSA C22.2 no. 62841-2-2:2016 Ed.1+G1

ASCD 18-100W34:

Certified to/Certifié à/Certificado según

CSA C22.2 no. 62841-1:2015 Ed.1 +U1; U2 +

CSA C22.2 no. 62841-2-2:2016 Ed.1

USA

FEIN Power Tools, Inc.

1000 Omega Drive

Suite 1180

Pittsburgh, PA 15205

Phone: 800-441-9878

www.feinus.com

Canada

FEIN Canadian Power Tool Company

323 Traders Boulevard East

Mississauga, Ontario L4Z 2E5

Telephone: (905) 8901390

Phone: 1-800-265-2581

www.fein.com

FEIN Service

FEIN Power Tools, Inc.

2735 Hickory Grove Road

Davenport, IA 52804

Phone: 800-441-9878

magdrillrepair@feinus.com

Headquarter

C. & E. Fein GmbH

Hans-Fein-Straße 81

D-73529 Schwäbisch Gmünd-Bargau

www.fein.com

