



RS17-70E (\*\*)

7 222 ...

**en** Instruction Manual



**fr** Mode d'emploi




**es** Instrucciones de uso



## For your safety.

**⚠ WARNING** **Read all safety warnings, instructions, illustrations and specifications provided with this power tool.** Failure to follow all instructions listed below may result in electric shock, fire and/or serious injury.  
**Save all warnings and instructions for future reference.**

 Do not use this power tool before you have thoroughly read and completely understood this Instruction Manual, including the figures, specifications, safety regulations and the signs indicating DANGER, WARNING and CAUTION.

Only carry out such operations with this power tool as intended for by FEIN. Only use application tools and accessories that have been released by FEIN.

Please also observe the relevant national industrial safety regulations.

Non-observance of the safety instructions in the said documentation can lead to an electric shock, burns and/or severe injuries.

This Instruction Manual should be kept for later use and enclosed with the power tool, should it be passed on or sold.

**SAVE THESE INSTRUCTIONS.**

The term “power tool” in the warnings refers to your mains-operated (corded) power tool or battery operated (cordless) power tool.

## General Power Tool Safety Warnings.

### 1) Work area safety

- a) **Keep work area clean and well lit.** Cluttered or dark areas invite accidents.
- b) **Do not operate power tools in explosive atmospheres, such as in the presence of flammable liquids, gases or dust.** Power tools create sparks which may ignite the dust or fumes.
- c) **Keep children and bystanders away while operating a power tool.** Distractions can cause you to lose control.

### 2) Electrical safety

- a) **Power tool plugs must match the outlet. Never modify the plug in any way. Do not use any adapter plugs with earthed (grounded) power tools.** Unmodified plugs and matching outlets will reduce risk of electric shock.
- b) **Avoid body contact with earthed or grounded surfaces, such as pipes, radiators, ranges and refrigerators.** There is an increased risk of electric shock if your body is earthed or grounded.
- c) **Do not expose power tools to rain or wet conditions.** Water entering a power tool will increase the risk of electric shock.
- d) **Do not abuse the cord. Never use the cord for carrying, pulling or unplugging the power tool. Keep cord away from heat, oil, sharp edges or moving parts.** Damaged or entangled cords increase the risk of electric shock.
- e) **When operating a power tool outdoors, use an extension cord suitable for outdoor use.** Use of a cord suitable for outdoor use reduces the risk of electric shock.
- f) **If operating a power tool in a damp location is unavoidable, use a residual current device (RCD) protected supply.** Use of an RCD reduces the risk of electric shock.

### 3) Personal safety

- a) **Stay alert, watch what you are doing and use common sense when operating a power tool. Do not use a power tool while you are tired or under the influence of drugs, alcohol or medication.** A moment of inattention while operating power tools may result in serious personal injury.
- b) **Use personal protective equipment. Always wear eye protection.** Protective equipment such as a dust mask, non-skid safety shoes, hard hat or hearing protection used for appropriate conditions will reduce personal injuries.

- c) **Prevent unintentional starting. Ensure the switch is in the off-position before connecting to power source and/or battery pack, picking up or carrying the tool.** Carrying power tools with your finger on the switch or energising power tools that have the switch on invites accidents.
  - d) **Remove any adjusting key or wrench before turning the power tool on.** A wrench or a key left attached to a rotating part of the power tool may result in personal injury.
  - e) **Do not overreach. Keep proper footing and balance at all times.** This enables better control of the power tool in unexpected situations.
  - f) **Dress properly. Do not wear loose clothing or jewellery. Keep your hair and clothing away from moving parts.** Loose clothes, jewellery or long hair can be caught in moving parts.
  - g) **If devices are provided for the connection of dust extraction and collection facilities, ensure these are connected and properly used.** Use of dust collection can reduce dust-related hazards.
  - h) **Do not let familiarity gained from frequent use of tools allow you to become complacent and ignore tool safety principles.** A careless action can cause severe injury within a fraction of a second.
- 4) **Power tool use and care**
- a) **Do not force the power tool. Use the correct power tool for your application.** The correct power tool will do the job better and safer at the rate for which it was designed.
  - b) **Do not use the power tool if the switch does not turn it on and off.** Any power tool that cannot be controlled with the switch is dangerous and must be repaired.
  - c) **Disconnect the plug from the power source and/or remove the battery pack, if detachable, from the power tool before making any adjustments, changing accessories, or storing power tools.** Such preventive safety measures reduce the risk of starting the power tool accidentally.
  - d) **Store idle power tools out of the reach of children and do not allow persons unfamiliar with the power tool or these instructions to operate the power tool.** Power tools are dangerous in the hands of untrained users.
  - e) **Maintain power tools and accessories. Check for misalignment or binding of moving parts, breakage of parts and any other condition that may affect the power tool's operation. If damaged, have the power tool repaired before use.** Many accidents are caused by poorly maintained power tools.
  - f) **Keep cutting tools sharp and clean.** Properly maintained cutting tools with sharp cutting edges are less likely to bind and are easier to control.
  - g) **Use the power tool, accessories and tool bits etc. in accordance with these instructions, taking into account the working conditions and the work to be performed.** Use of the power tool for operations different from those intended could result in a hazardous situation.
  - h) **Keep handles and grasping surfaces dry, clean and free from oil and grease.** Slippery handles and grasping surfaces do not allow for safe handling and control of the tool in unexpected situations.
- 5) **Service**
- a) **Have your power tool serviced by a qualified repair person using only identical replacement parts.** This will ensure that the safety of the power tool is maintained.
  - b) **Never service damaged battery packs.** Service of battery packs should only be performed by the manufacturer or authorized service providers.

## Special safety instructions.

### Special safety instructions.

**Hold the power tool by the insulated gripping surfaces, as the grinding surface can run into the machine's own power cord.** Damaging a "live" wire can make exposed metal parts of the power tool "live" and shock the operator.

**While working, do not wear loose clothing, jewellery or open, long hair.** Despite protective devices, loose objects can be snagged or caught by moving parts and lead to injury.

**Do not use worn, torn or heavily clogged grinding belts. Handle grinding belts carefully and store them according to the manufacturer's instructions. Do not bend or fold grinding belts!** Damaged grinding belts can tear, be flung away and injure someone.

**Secure the work piece firmly.** A work piece that is gripped tightly in a clamping device or vice, is more secure than if held by hand.

**Hold the power tool firmly.** High reaction torque can briefly occur.

**Do not rivet or screw any name-plates or signs onto the power tool.** If the insulation is damaged, protection against an electric shock will be ineffective.

**Do not use accessories which are not specifically designed and recommended by the power tool manufacturer.** Safe operation is not ensured merely because an accessory fits your power tool.

**Clean the ventilation openings on the power tool at regular intervals using non-metal tools.** The blower of the motor draws dust into the housing. An excessive accumulation of metallic dust can cause an electrical hazard.

### Further safety warnings

**Do not direct the power tool against yourself, other persons or animals.** Danger of injury from sharp grinding belts.

**Never lay the power tool down until the grinding belt has come to a complete stop.** The grinding belt can come into contact with the surface, causing you to lose control over the power tool.

**Never touch the running grinding belt.** Danger of injury.

**Avoid body contact with grounded surfaces, such as from pipes, heaters, stoves and refrigerators.** There is an increased risk of electric shock when your body has contact to grounded surfaces. Under certain conditions, components of the machine can become electrostatically charged.

**The surface being worked can become very hot.** Do not touch it with your hands.

**Wear personal protective equipment. Depending on application, use a face shield, safety goggles or safety glasses. As appropriate, wear dust mask, hearing protectors, gloves and workshop apron capable of stopping small abrasive or work piece fragments.** The eye protection must be capable of stopping flying debris generated by various operations. The dust mask or respirator must be capable of filtrating particles generated by your operation. Prolonged exposure to high intensity noise may cause hearing loss.

**Warning! Danger of fire and explosion! When grinding metals (e.g., aluminium or magnesium), dust develops that may be combustible or explosive. Do not operate the machine near flammable materials.** Sparks could cause these materials to ignite.

**Pay attention that other persons are not put at risk from sparking.** Remove flammable materials in close vicinity. Sparking occurs when grinding metal.

**Use a stationary extraction system and blow out the ventilation slots frequently.** When working metal under extreme operating conditions, it is possible for conductive dust to settle in the interior of the power tool. The total insulation of the power tool can be impaired.

**Always use the protective devices attached on the machine. The protective devices must be securely mounted to the machine in order to achieve maximum safety.** The protective devices are supposed to protect the user from grinding particles thrown from the machine and from accidental contact with the grinding belt.

**Keep bystanders a safe distance away from work area. Anyone entering the work area must wear personal protective equipment.**

Fragments of workpiece or of a broken accessory may fly away and cause injury beyond immediate area of operation.

**Keep the power cord away from the grinding belt.** When losing control over the machine, the power cord can be cut through or get caught, and your hand or arm can come in contact with the grinding belt.

**Do not run the power tool while carrying it at your side.** Your clothing may get caught through accidental contact with the grinding belt and cause injuries.

## Handling hazardous dusts.

**⚠ WARNING** **When working with power tools, such as when grinding, sanding, polishing, sawing or for other work procedures where material is removed, dusts develop that are both hazardous to one's health and can spontaneously combust or be explosive.**

Contact with or inhaling some dust types can trigger allergic reactions to the operator or bystanders and/or lead to respiratory infections, cancer, birth defects or other reproductive harm.

Examples of such materials which contain chemicals that can produce hazardous dusts, are:

- Asbestos and materials containing asbestos;
- Lead-containing coatings, some wood types such as beech and oak;
- Minerals and metal;
- Silicate particles from bricks, concrete and other materials containing stone;
- Solvent from solvent-containing paint/varnish;
- Arsenic, chromium and other wood preservatives;
- Materials for pesticide treatment on boat and ship hulls;
- Stainless steel dust, metal dust and non-ferrous metal dust;

**Make sure that the sanding belt is mounted in accordance with the manufacturers instructions. Mounted sanding belts must be able to rotate freely.** Incorrectly mounted sanding belts can become loose during operation and be thrown from the machine.

**Do not operate the power tool with wet or moist hands.**

**Before putting into operation, check the power connection and the power plug for damage.**

**Recommendation: The tool should always be supplied with power via a ground fault circuit interrupter (GFCI) with a rated current of 30 mA or less.**

To minimize the unwanted intake of these materials:

- Use dust extraction matched appropriately for the developing dust.
- Use personal protective equipment, such as a P2 filter-class dust protection mask.
- Provide for good ventilation of the workplace.

The risk from inhaling dusts depends on how often these materials are worked. Materials containing asbestos may only be worked on by specialists.

**⚠ CAUTION** **Wood and light-metal dust can cause spontaneous combustion or explosions.**

Hot mixtures of sanding dust and paint/varnish remainders or other chemical materials in the filter bag or the vac filter can self-ignite under unfavorable conditions, such as sparking from sanding metal, continuous sunlight or high ambient temperatures. To prevent this:

- Avoid overheating the material being sanded and the power tool.
- Empty the dust collector/container in time.
- Observe the material manufacturer's working instructions.
- Observe the relevant regulations in your country for the materials being worked.

## Hand/arm vibrations.

**⚠ WARNING** While working with this power tool, hand/arm vibrations occur. These can lead to health impairments.

**⚠ WARNING** The vibration emission value during actual use of the power tool can differ from the declared value depending on the ways in which the tool is used.

**⚠ WARNING** It is necessary to identify safety measures to protect the operator that are based on an estimation of exposure in the actual conditions of use. The vibration emission level given in this information sheet has been measured in accordance with a standardized test given in EN 62841 and may be used to compare one tool with another. It may be used for a preliminary assessment of the vibrational impact.

The declared vibration emission level represents the main applications of the power tool. However, if the power tool is used for other applications with different accessories or poorly maintained, the vibration emission may differ. This may significantly increase the vibrational impact over the total working period.

An estimation of the level of exposure to vibration should also take into account the times when the tool is switched off or when it is running but not actually doing the job. This may significantly reduce the vibrational load over the total working period. Identify additional safety measures to protect the operator from the effects of vibration such as: Maintain the power tool and the accessories, keep the hands warm, organization of work patterns.

**Emission values for sound and vibration** (Two-figure – specifications as per ISO 4871)

### Sound emission

**RS17-70E (\*\*)**

A-weighted emission pressure power level measured at the workplace $L_{pA}$ (re 20 $\mu$ Pa), in decibels	94.1
Measuring uncertainty $K_{pA}$ , in decibels	3.0
Measured A-weighted sound power level $L_{wA}$ (re 1 pW), in decibels	102.3
Measuring uncertainty $K_{wA}$ , in decibels	3.0
C-weighted peak sound pressure level measured at the workplace $L_{pCpeak}$ in decibels	107.9
Measuring uncertainty $K_{pCpeak}$ in decibels	3.0

### Vibrations

Weighted acceleration, in	
– $m/s^2$	5.9
– $ft/s^2$	19.4
Measuring uncertainty $K$ , in	
– $m/s^2$	1.5
– $ft/s^2$	4.9

REMARK: The sum of the measured emission value and respective measuring inaccuracy represents the upper limit of the values that can occur during measuring.



Wear hearing protection!

Measured values determined in accordance with the corresponding product standard.

## Extension cable.

**⚠ WARNING** If the use of an extension cord is required, its length and conductor cross-section must be adequate for the application in order to prevent a voltage drop in the extension cord, power loss and overheating of the power tool. Otherwise, the extension cable and power tool are prone to electrical danger, and the working efficiency is decreased.

## Intended use of the power tool:

---

Hand-guided pipe sander for:

- Dry belt grinding of metal pipe surfaces
- Polishing of metal pipe surfaces

in weather-protected environments with the application tools and accessories recommended by FEIN.

Use only with firm footing.

The power tool is intended for operation by skilled personnel at non-permanent everyday use.

This power tool is also suitable for use with AC generators with sufficient power output that correspond to the Standard ISO 8528, design type G2. This Standard is particularly not complied with when the so-called distortion factor exceeds 10 %. When in doubt, please refer to the generator instruction/specification guide.

All other types of use are considered as not intended for.

The operator is solely liable for any damage caused by use not as intended for.





















### Foreseeable improper use

For safe operation of the power tool and to exclude misuse, the following is prohibited:

- Unauthorized modifications
- Improper use, particularly (but not exclusively) for the processing of wood, mineral materials, magnesium, plastics, fiber-reinforced composites.
- Non-observance of the operating instructions



## Symbols.

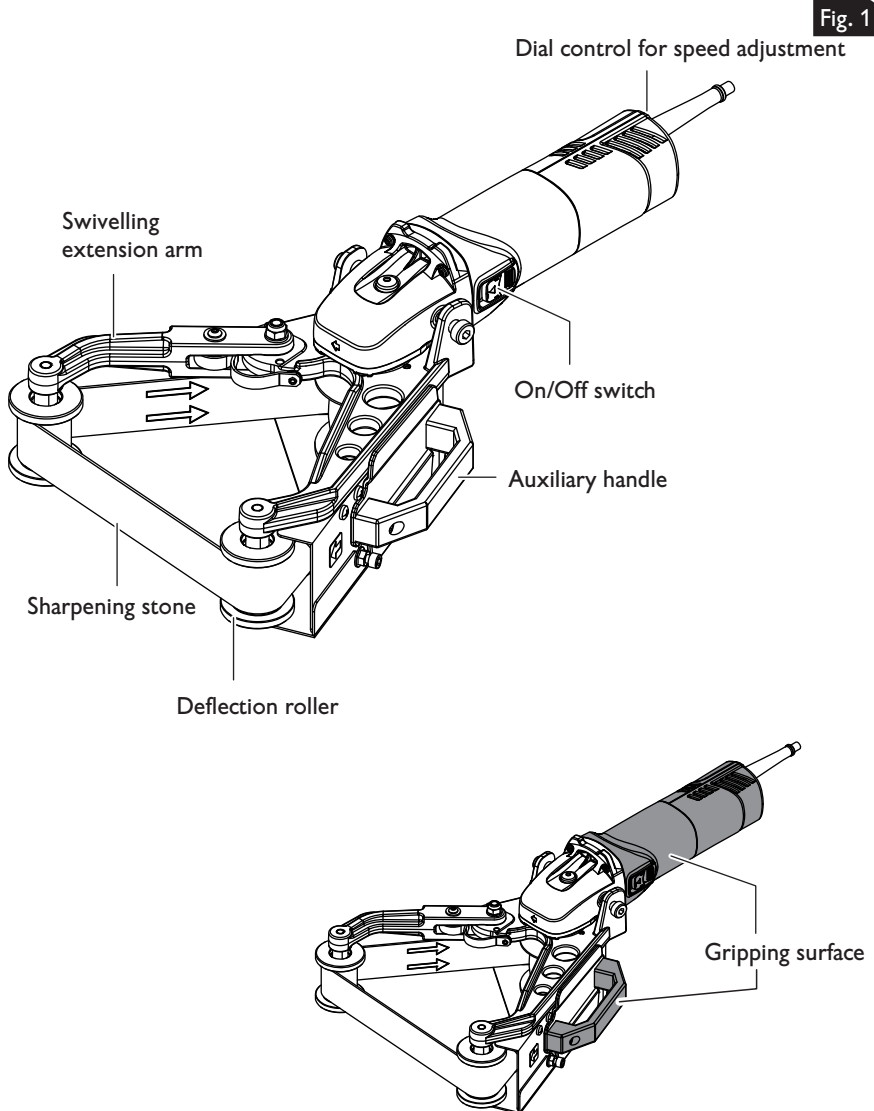
Symbol, character	Explanation
	Make sure to read the enclosed documents such as the Instruction Manual and the General Safety Instructions.
	Observe the instructions in the text or graphic opposite!
	Do not touch the rotating parts of the power tool.
	Before commencing this working step, pull the power plug out of the socket. Otherwise there will be danger of injury if the power tool should start unintentionally.
	Use eye protection during operation.
	Use ear protection during operation.
	Additional information.
 C US	This symbol confirms the certification of this product for the USA and Canada.
 <b>DANGER</b>	This sign warns of a directly imminent, dangerous situation. A false reaction can cause a severe or fatal injury.
 <b>WARNING</b>	This sign indicates a possible dangerous situation that could cause severe or fatal injury.
 <b>CAUTION</b>	This sign warns of a possible dangerous situation that could cause injury.
	Worn out power tools and other electrotechnical and electrical products should be sorted separately for environmentally-friendly recycling.
	Product with double or reinforced insulation
	Switching on
	Switching off
	Locked
	Not locked
~ (a. c.)	Alternating current
	Low sanding-belt speed
	High sanding-belt speed
	Grease sliding surfaces as required
(**)	may contain numbers and letters
***	Partially in delivery scope
(Ax – Zx)	Marking for internal purposes

Character	Unit of measurement, national	Explanation
$v_0$	ft/s	Grinding-belt speed
$P$	W	Electrical power
	°	Angle width
$U$	V	Electric voltage
$f$	Hz	Frequency
$I$	A	Electric current intensity
$m$	lbs	Mass
$l$	ft, in	Length, width, height, depth, diameter or thread
$\varnothing$	ft, in	Diameter of a round part
$K_{..}$		Uncertainty
$a$	$m/s^2$	Vibrational emission value according to EN 62841 (vector sum of three directions)
	m, s, kg, A, mm, V, W, Hz, N, °C, dB, min, $m/s^2$	Basic and derived units of measurement from the international system of units <b>SI</b> .

## Technical description and specifications.

**⚠ WARNING** Before mounting or replacing cutting tool or accessories, pull the power plug. This preventive safety measure rules out the danger of injuries through accidental starting of the power tool.

Not all accessories described or shown in this instruction manual will be included with your power tool.



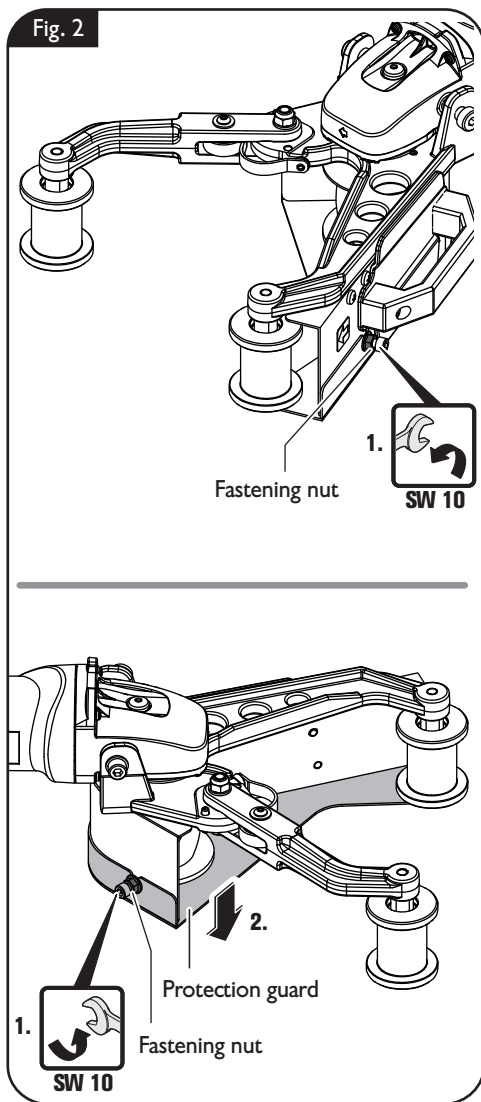
<b>Type</b>	<b>RS17-70E (**)</b>
Order number	7 222 ...
Rated voltage	120 V, 60 Hz
Current consumption	13 A
Grinding-belt speed	9 – 27 m/s 29 – 87.10 ft/s <sup>2</sup>
Sanding-belt length	32 in 815 mm
Sanding-belt width	25/32 in – 1 37/64 in 20 mm – 40 mm
Maximum pipe diameter	3 5/32 in 80 mm
Weight according to EPTA-Procedure 01	9.5 lbs 4.3 kg
Class of protection	□/II

## Assembly instructions.

**⚠ WARNING** Before mounting or replacing cutting tool or accessories, pull the power plug. This preventive safety measure rules out the danger of injuries through accidental starting of the power tool.

### Dismounting the protection guard (figure 2).

Loosen the fastening nuts on both sides. Pull off the protection guard downward.



## Mounting the sanding belt (figure 3).

Position the sanding belt around the drive roller and the deflection roller on the fixed extension arm.

Push the swivelling extension arm inward and position the sanding belt onto its deflection roller.

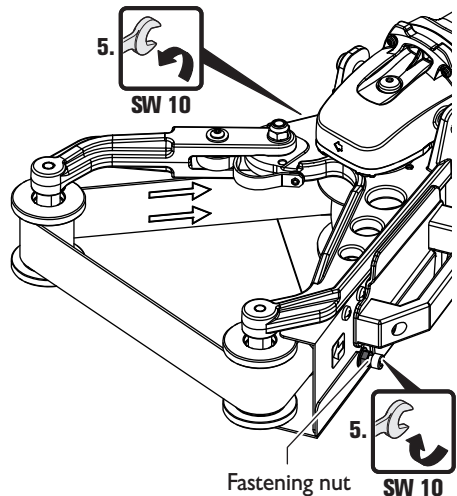
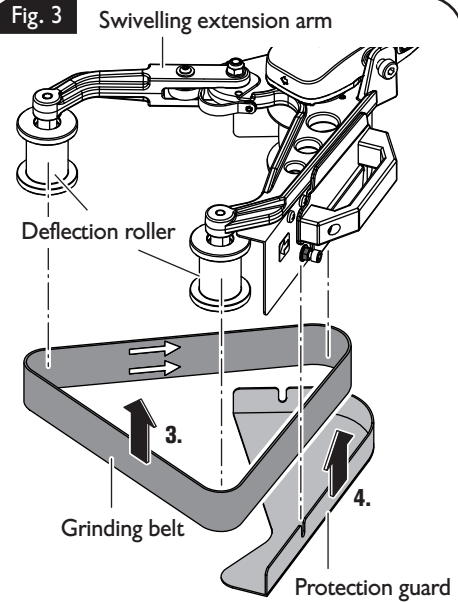
Firmly push the swivelling extension arm outward to tension the sanding belt and make it ready for operation.

Mount the protection guard again.

Tighten the fastening nuts on both sides.

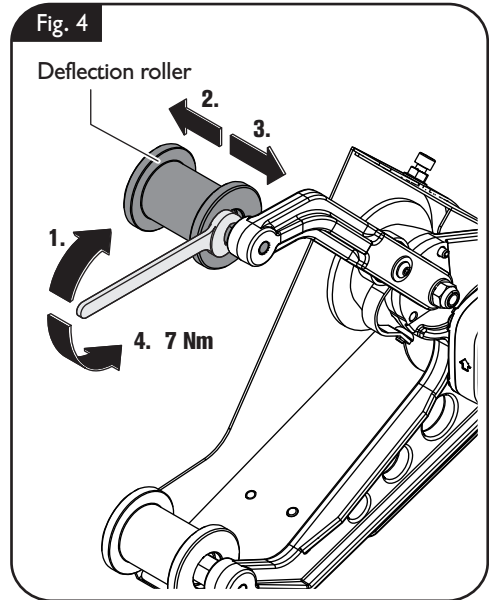
Carry out a test run for approx. 20 seconds with the new sanding belt.

**!** Pay attention that the arrow directions on the inside of the sanding belt and the housing of the power tool correspond.



## Mounting a deflection roller (figure 4).

Loosen deflection rollers using an open-jawed wrench and pull deflection roller off. Mount deflection roller and tighten deflection rollers using an open-end wrench.



## Working instructions.

**⚠ WARNING** Before mounting or replacing cutting tool or accessories, pull the power plug. This preventive safety measure rules out the danger of injuries through accidental starting of the power tool.

**⚠ CAUTION** For each job, use only the FEIN application tool released and intended for the respective application.

### Switching on and off (figure 5).

**⚠ WARNING** Check the power supply cable and the plug for damage.

**⚠ CAUTION** Always hold the power tool firmly. Otherwise, you could lose control over the power tool.

#### Switching on:

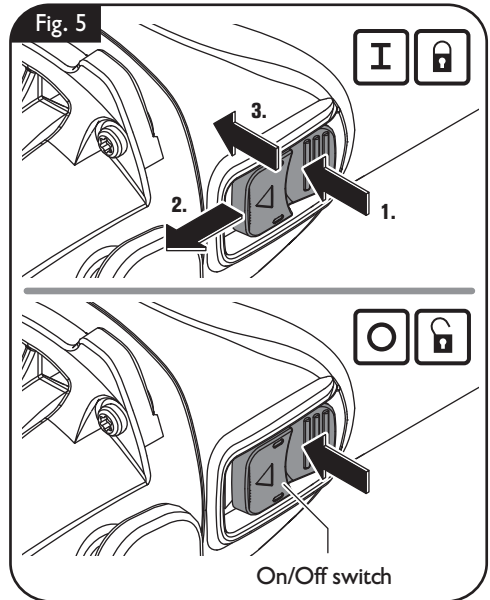
Press the On/Off switch down at the grooved surface and then push it forward.

#### Locking on:

To lock on, press the On/Off switch in the front area of the switch surface inward when in that position.

#### Switching off:

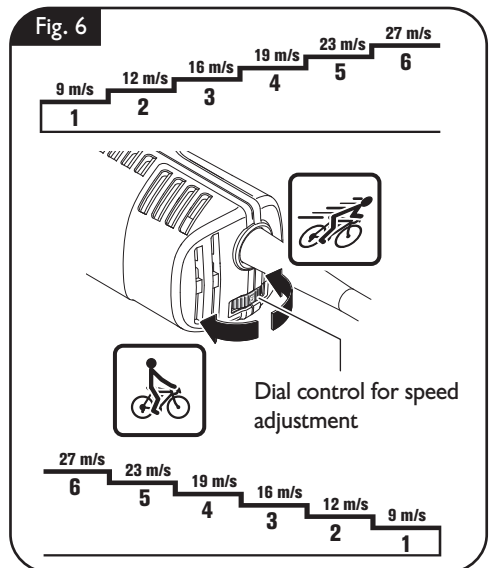
Press the On/Off switch in the rear area of the switch surface downward.



### Adjusting the sanding-belt speed (figure 6).

The sanding-belt speed can be variably adjusted in the range indicated in the following figure.

Set the dial control between "1" for the lowest sanding-belt speed and "6" for the highest sanding-belt speed.

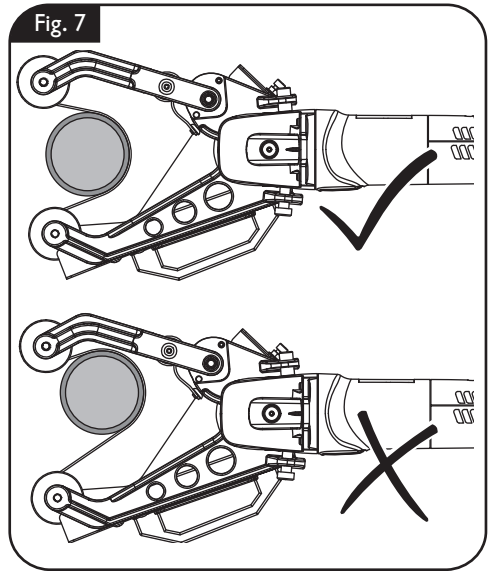




## Pipe processing (Fig. 7– 8).

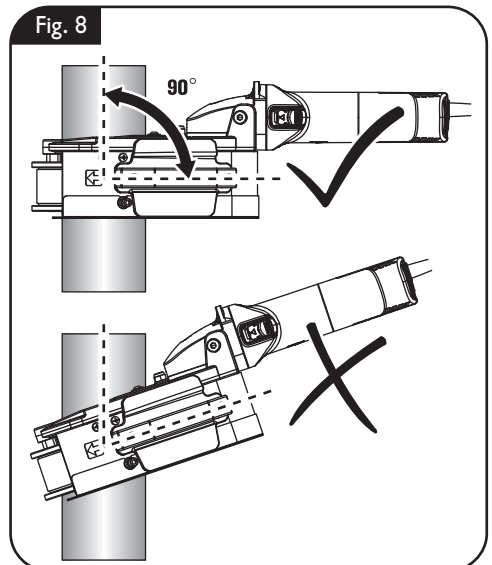
❗ Heavy vibrations of the power tool may indicate a defect. The power tool must be checked.

Guide the machine with the sanding belt against the pipe subject to sanding until the pipe is covered about halfway by the sanding belt.



Always hold the machine with both hands and at a right angle to the pipe (also applies for pipe arcs).

Sand the pipe uniformly applying a continuous length motion.



## Features

The **restarting protection** prevents the power tool from automatically restarting if the power supply is interrupted during operation. In this case, switch off the power tool, check the power supply and then switch the power tool on again.

The **electronic speed preselection** enables the speed to be adapted to the respective application and the respective application tool.

## Repair and customer service.

**⚠ WARNING** **Before mounting or replacing cutting tool or accessories, pull the power plug.** This preventive safety measure rules out the danger of injuries through accidental starting of the power tool.

### Exchangeable parts

**If required, you can change the following parts yourself:**

Sanding belt, deflection rollers

### Service.

**⚠ WARNING** **Have maintenance carried out only through qualified personnel. Incorrectly mounted leads and components can cause serious injuries.**

Have the required service carried out only through a FEIN customer service agent.

Renew stickers and warning indications on the power tool when aged and worn.

Products that have come into contact with asbestos may not be sent in for repair. Dispose of products contaminated with asbestos according to the applicable country-specific regulations for such disposal.

When the machine's power supply cord is damaged, it must be replaced by the manufacturer or their representative.

For FEIN power tools and accessories in need of repair, please contact your FEIN after-sales service. The address can be found on the Internet under [www.fein.com](http://www.fein.com).

Use only original spare parts.

The current spare parts list for this power tool can be found in the Internet at [www.fein.com](http://www.fein.com).

### Cleaning.

**⚠ WARNING** **Prior to any cleaning or maintenance, disconnect the power tool from the power supply in order to avoid accidents.**

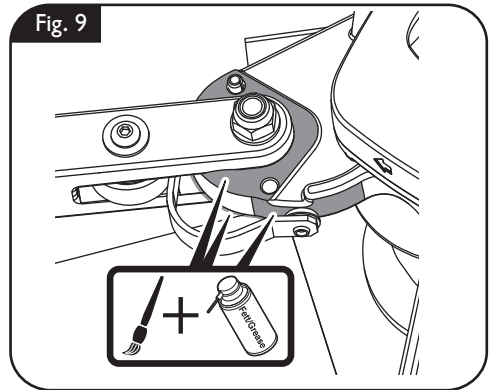
**⚠ WARNING** **When using in environments with conductive dust in the air, such as when working metals, this dust can settle in the interior of the power tool. This can impair the total insulation of the power tool. Therefore, regularly blow out the interior of the power tool from outside via the ventilation openings with dry, oil-free compressed air; always wear eye protection when doing this. For additional protection, connect a residual current device (RCD) on the line side.**

**⚠ CAUTION** Do not attempt to clean clogged or dirty ventilation openings of the power tool with pointed metal objects; use nonmetal tools or objects if necessary.

**⚠ CAUTION** **Do not use cleaning agents and solvents that can cause damage to plastic parts.** These include: Gasoline, carbon-tetrachloride, chloric solvents, ammonia and domestic cleaning agents that contain ammonia.

## Cleaning and lubricating the tensioning arm (figure 9).

Clean and lubricate the sliding surface of the tensioning arm as required.



## Warranty and liability.

The warranty for the product is valid in accordance with the legal regulations in the country where it is marketed. In addition, FEIN also provides a guarantee in accordance with the FEIN manufacturer's warranty declaration.

Not all accessories described or shown in this instruction manual will be included with your power tool.

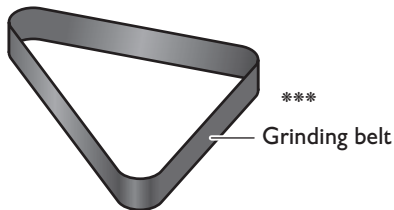
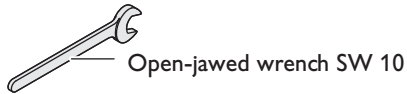
## Environmental protection, disposal.

Packaging, worn out power tools and accessories should be sorted for environmental-friendly recycling.

Due to their ingredients and properties, sanding belts must generally be disposed of properly as hazardous waste in accordance with regional disposal regulations.

## Provided accessories (figure 10).

Fig. 10



### Selection of accessories

Use only original FEIN accessories. The accessories must be intended for the power tool type.


- Sanding belt /Fleece belt ISO 2976 - 40 x 815
- Sanding belt /Fleece belt ISO 2976 - 20 x 815
- Deflection roller with collar
- Deflection roller without collar

## Pour votre sécurité.

**⚠ AVERTISSEMENT** Lire tous les avertissements de sécurité, les

instructions, les illustrations et les spécifications fournis avec cet outil électrique. Ne pas suivre les instructions énumérées ci-dessous peut provoquer un choc électrique, un incendie et/ou une blessure sérieuse.

**Conserver tous les avertissements et toutes les instructions pour pouvoir s'y reporter ultérieurement.**

 Ne pas utiliser cet outil électrique avant d'avoir soigneusement lu et parfaitement compris cette notice d'utilisation y compris les figures, les spécifications, les consignes de sécurité ainsi que les indications marquées par DANGER, AVERTISSEMENT et ATTENTION.

N'utiliser cet outil électrique que pour les travaux pour lesquels il a été conçu par FEIN. N'utiliser que des outils de travail et accessoires autorisés par FEIN.

De même, respecter les dispositions concernant la prévention des accidents du travail en vigueur dans le pays en question.

Le non-respect des instructions de sécurité se trouvant dans la documentation mentionnée peut entraîner un choc électrique, un incendie et / ou de graves blessures.

Bien garder cette notice d'utilisation en vue d'une utilisation ultérieure ; elle doit être jointe à l'appareil en cas de transmission ou de vente à une tierce personne.

**GARDER SOIGNEUSEMENT CES INSTRUCTIONS DE SECURITE.**

Le terme « outil électrique » dans les consignes de sécurité fait référence à votre outil électrique alimenté par le secteur (avec cordon d'alimentation) ou votre outil fonctionnant sur batterie (sans cordon d'alimentation).

## Instructions générales de sécurité.

### 1) Sécurité de la zone de travail

- a) **Maintenir la zone de travail propre et bien éclairée.** Les zones en désordre ou sombres sont propices aux accidents.

b) **Ne pas faire fonctionner les outils électriques en atmosphère explosive, par exemple en présence de liquides inflammables, de gaz ou de poussières.** Les outils électriques produisent des étincelles qui peuvent enflammer les poussières ou les fumées.

c) **Maintenir les enfants et les personnes présentes à l'écart pendant l'utilisation de l'outil électrique.** Les distractions peuvent vous faire perdre le contrôle de l'outil.

### 2) Sécurité électrique

a) **Il faut que les fiches de l'outil électrique soient adaptées au socle. Ne jamais modifier la fiche de quelque façon que ce soit. Ne pas utiliser d'adaptateurs avec des outils électriques à branchement de terre.** Des fiches non modifiées et des socles adaptés réduisent le risque de choc électrique.

b) **Éviter tout contact du corps avec des surfaces reliées à la terre telles que les tuyaux, les radiateurs, les cuisinières et les réfrigérateurs.** Il existe un risque accru de choc électrique si votre corps est relié à la terre.

c) **Ne pas exposer les outils électriques à la pluie ou à des conditions humides.** La pénétration d'eau à l'intérieur d'un outil électrique augmente le risque de choc électrique.

d) **Veiller à ne pas endommager le cordon. Ne jamais utiliser le cordon pour porter, tirer ou débrancher l'outil électrique. Maintenir le cordon à l'écart de la chaleur, du lubrifiant, des arêtes vives ou des parties en mouvement.** Des cordons endommagés ou emmêlés augmentent le risque de choc électrique.

e) **Lorsqu'on utilise un outil électrique à l'extérieur, utiliser un prolongateur adapté à l'utilisation extérieure.** L'utilisation d'un cordon adapté à l'utilisation extérieure réduit le risque de choc électrique.

f) Si l'usage d'un outil électrique dans un emplacement humide est inévitable, utiliser une alimentation protégée par un dispositif à courant différentiel résiduel (RCD). L'usage d'un RCD réduit le risque de choc électrique.

### 3) Sécurité des personnes

a) Rester vigilant, regarder ce que vous êtes en train de faire et faire preuve de bon sens dans votre utilisation de l'outil électrique. Ne pas utiliser un outil électrique lorsque vous êtes fatigué ou sous l'emprise de drogues, de l'alcool ou de médicaments. Un moment d'inattention en cours d'utilisation d'un outil électrique peut entraîner des blessures graves.

b) Utiliser un équipement de protection individuelle. Toujours porter une protection pour les yeux. Les équipements de protection individuelle tels que les masques contre les poussières, les chaussures de sécurité antidérapantes, les casques ou les protections auditives utilisés pour les conditions appropriées réduisent les blessures.

c) Éviter tout démarrage intempestif. S'assurer que l'interrupteur est en position arrêt avant de brancher l'outil au secteur et/ou au bloc de batteries, de le ramasser ou de le porter. Porter les outils électriques en ayant le doigt sur l'interrupteur ou brancher des outils électriques dont l'interrupteur est en position marche est source d'accidents.

d) Retirer toute clé de réglage avant de mettre l'outil électrique en marche. Une clé laissée fixée sur une partie tournante de l'outil électrique peut donner lieu à des blessures.

e) Ne pas se précipiter. Garder une position et un équilibre adaptés à tout moment. Cela permet un meilleur contrôle de l'outil électrique dans des situations inattendues.

f) S'habiller de manière adaptée. Ne pas porter de vêtements amples ou de bijoux. Garder les cheveux et les vêtements à distance des parties en mouvement. Des vêtements amples, des bijoux ou les cheveux longs peuvent être pris dans des parties en mouvement.

g) Si des dispositifs sont fournis pour le raccordement d'équipements pour l'extraction et la récupération des poussières, s'assurer qu'ils sont connectés et correctement utilisés. Utiliser des collecteurs de poussière peut réduire les risques dus aux poussières.

h) Rester vigilant et ne pas négliger les principes de sécurité de l'outil sous prétexte que vous avez l'habitude de l'utiliser. Une fraction de seconde d'inattention peut provoquer une blessure grave.

### 4) Utilisation et entretien de l'outil électrique

a) Ne pas forcer l'outil électrique. Utiliser l'outil électrique adapté à votre application. L'outil électrique adapté réalise mieux le travail et de manière plus sûre au régime pour lequel il a été construit.

b) Ne pas utiliser l'outil électrique si l'interrupteur ne permet pas de passer de l'état de marche à arrêt et inversement. Tout outil électrique qui ne peut pas être commandé par l'interrupteur est dangereux et il faut le réparer.

c) Débrancher la fiche de la source d'alimentation et/ou enlever le bloc de batteries, s'il est amovible, avant tout réglage, changement d'accessoires ou avant de ranger l'outil électrique. De telles mesures de sécurité préventives réduisent le risque de démarrage accidentel de l'outil électrique.

- d) Conserver les outils électriques à l'arrêt hors de la portée des enfants et ne pas permettre à des personnes ne connaissant pas l'outil électrique ou les présentes instructions de le faire fonctionner.** Les outils électriques sont dangereux entre les mains d'utilisateurs novices.
- e) Observer la maintenance des outils électriques et des accessoires. Vérifier qu'il n'y a pas de mauvais alignement ou de blocage des parties mobiles, des pièces cassées ou toute autre condition pouvant affecter le fonctionnement de l'outil électrique. En cas de dommages, faire réparer l'outil électrique avant de l'utiliser.** De nombreux accidents sont dus à des outils électriques mal entretenus.
- f) Garder affûtés et propres les outils permettant de couper.** Des outils destinés à couper correctement entretenus avec des pièces coupantes tranchantes sont moins susceptibles de bloquer et sont plus faciles à contrôler.
- g) Utiliser l'outil électrique, les accessoires et les lames etc., conformément à ces instructions, en tenant compte des conditions de travail et du travail à réaliser.** L'utilisation de l'outil électrique pour des opérations différentes de celles prévues peut donner lieu à des situations dangereuses.
- h) Il faut que les poignées et les surfaces de préhension restent sèches, propres et dépourvues d'huiles et de graisses.** Des poignées et des surfaces de préhension glissantes rendent impossibles la manipulation et le contrôle en toute sécurité de l'outil dans les situations inattendues.
- 5) Maintenance et entretien**
- a) Faire entretenir l'outil électrique par un réparateur qualifié utilisant uniquement des pièces de rechange identiques.** Cela assure le maintien de la sécurité de l'outil électrique.
- b) Ne jamais effectuer d'opération d'entretien sur des blocs de batteries endommagés.** Il convient que l'entretien des blocs de batteries ne soit effectué que par le fabricant ou les fournisseurs de service autorisés.



## Instructions particulières de sécurité.

### Instructions particulières de sécurité.

**Tenir l'outil électrique par les surfaces de préhension isolantes, étant donné que la surface de ponçage peut entrer en contact avec son propre câble de raccordement.**

Endommager un fil sous tension peut également mettre sous tension les parties métalliques exposées de l'outil et provoquer un choc électrique.

**Ne pas porter des vêtements amples, des bijoux et attacher les cheveux longs lors du travail.** Malgré les dispositifs de protection, les objets non fixés peuvent être happés par les pièces en mouvement et provoquer ainsi des blessures.

**Ne pas utiliser de bandes de ponçage usées, fendues sur les bords ou fortement encrassées. Manier avec précaution les bandes de ponçage et les ranger conformément aux instructions du fabricant. Ne pas plier les bandes de ponçage !** Les bandes de ponçage endommagées peuvent se déchirer ou être projetées par l'appareil et blesser des personnes.

**Bloquer la pièce à travailler.** Une pièce à travailler serrée par un dispositif de serrage est fixée de manière plus sûre que si elle est seulement tenue de la main.

**Tenez fermement l'outil électrique.** Il pourrait avoir des réactions inattendues.

**Il est interdit de visser ou de riveter des plaques ou des repères sur l'outil électrique.**

Une isolation endommagée ne présente aucune protection contre une électrocution.

**N'utilisez pas des accessoires qui n'ont pas été spécialement conçus ou autorisés par le fabricant de l'outil électrique.** Le seul fait qu'un accessoire puisse être monté sur votre outil électrique ne garantit pas une utilisation sans risque.

**Nettoyez régulièrement les ouïes de ventilation de l'outil électrique avec des outils non métalliques.** La ventilation du moteur aspire la poussière à l'intérieur du carter. Une trop grande quantité de poussière de métal accumulée peut provoquer des incidents électriques.

### Avertissements de sécurité supplémentaires

**Ne pas diriger l'outil électrique vers soi-même ou vers d'autres personnes ou des animaux.** Les bandes de ponçage risquent de causer des blessures.

**Ne jamais reposer l'outil électrique avant que l'accessoire ne soit complètement à l'arrêt.** La bande de ponçage peut entrer en contact avec la surface sur laquelle l'appareil est posé, ce qui risque de vous faire perdre le contrôle de l'outil électrique.

**Ne jamais toucher la bande de ponçage en rotation.** Il y a risque de blessures.

**Éviter tout contact du corps avec des surfaces reliées à la terre telles que les tuyaux, les radiateurs, les cuisinières et les réfrigérateurs. Il existe un risque accru de choc électrique si votre corps est relié à la terre.** Dans certaines conditions, les composants de la machine peuvent se charger électrostatiquement.

**La surface travaillée peut devenir très chaude.** Ne pas la toucher avec votre main.

**Porter un équipement de protection individuelle. En fonction de l'application, utiliser un écran facial, des lunettes de sécurité ou des verres de sécurité. Le cas échéant, utiliser un masque anti-poussières, des protections auditives, des gants et un tablier pouvant vous protéger des projections de fragments abrasifs ou des pièces à travailler.** La protection oculaire doit être capable d'arrêter les débris volants produits par les diverses opérations. Le masque anti-poussières ou le masque respiratoire doit pouvoir filtrer les particules générées lors de l'utilisation de l'appareil. L'exposition prolongée aux bruits de forte intensité peut provoquer une perte de l'audition.

**Attention risque d'incendie et d'explosion ! Lors du ponçage de métaux (par ex. aluminium ou magnésium), de la poussière est générée qui peut être inflammable ou explosive. Ne pas utiliser l'appareil lorsqu'il y a des matériaux inflammables à proximité.** Des étincelles pourraient enflammer ces matériaux.

**Veiller à protéger toute personne contre des projections d'étincelles.** Enlever les matériaux inflammables se trouvant à proximité. L'usinage des métaux génère des étincelles.

**Utiliser un dispositif d'aspiration stationnaire et souffler souvent les ouïes de ventilation.** En cas de conditions d'utilisation extrêmes, il est possible, lorsqu'on travaille des matériaux métalliques, que des poussières conductrices se déposent à l'intérieur de l'outil électrique. Cela peut nuire à la double isolation de l'outil électrique.

**Toujours utiliser les dispositifs de protection se trouvant sur l'appareil. Les dispositifs de protection doivent être solidement montés sur l'appareil de façon à garantir une sécurité maximale.** Les dispositifs de protection doivent protéger l'utilisateur contre les projections de particules et contre un contact accidentel avec la bande de ponçage.

**Maintenir les personnes présentes à une distance de sécurité par rapport à la zone de travail. Toute personne entrant dans la zone de travail doit porter un équipement de protection individuelle.** Des fragments de la pièce à travailler ou d'un accessoire cassé peuvent être projetés en dehors de la zone immédiate d'opération et provoquer des blessures.

## Maniement de poussières nocives.

**⚠ AVERTISSEMENT** Lors du travail avec des outils, par ex. lors du ponçage, polissage, sciage ou d'autres opérations enlevant du matériau, des poussières sont générées qui peuvent être nocives pour la santé, auto-inflammables ou explosives.

Toucher ou aspirer certaines poussières peut causer des réactions allergiques et/ou des maladies respiratoires, un cancer, des malformations à la naissance ou autres anomalies de reproduction auprès de l'utilisateur ou de personnes se trouvant à proximité.

Quelques exemples de tels matériaux et de produits chimiques qu'ils contiennent dont l'usinage génère des poussières nocives :

- l'amiante et les matériaux contenant de l'amiante ;
- peintures contenant du plomb, certains bois tels que le bois de chêne et de hêtre ;

**Tenir le cordon d'alimentation hors de la portée de la bande de ponçage.** Si vous perdez le contrôle de l'appareil, le câble pourrait être coupé ou se coincer et votre main ou votre bras pourraient être blessés par la bande de ponçage.

**Ne pas faire fonctionner l'outil électrique en le portant sur le côté.** Un contact accidentel avec la bande de ponçage pourrait avoir pour effet que vos vêtements soient happés par la bande de ponçage et de vous blesser.

**S'assurer que la bande abrasive est montée conformément aux indications du fabricant. Une fois les bandes de ponçage montées, elles doivent pouvoir tourner librement.** Les bandes de ponçage mal montées peuvent se détacher pendant le travail et être éjectées hors de l'appareil.

**Ne pas utiliser l'appareil avec des mains mouillées ou humides.**

**Avant la mise en service, s'assurer que le câble de raccordement et la fiche sont en parfait état.**

**Recommandation : Faire toujours fonctionner l'outil électrique sur un réseau électrique équipé d'un disjoncteur différentiel 30 mA max.**

- minéraux et métal ;
- les particules de silicate contenues dans les briques, le béton et autres matériaux contenant de la roche ;
- les solvants contenus dans les vernis et peintures ;
- l'arsenic, le chrome et d'autres lasures ;
- produits pour la lutte contre les vermines sur la coque de bateaux et de bâtiments ;
- poussières d'aciers fins, poussières de métaux et poussières de métaux non-ferreux.

Pour minimiser la résorption indésirable de ces matériaux :

- Utiliser une aspiration adaptée à la poussière générée.
- Utiliser des équipements personnels de protection tels que par exemple un masque anti-poussière de la classe filtre P2.
- Veiller à bien aérer la zone de travail.

Le risque causé par le fait d'aspirer des poussières dans les poumons dépend de la fréquence à laquelle ces matériaux sont travaillés. Les matériaux contenant de l'amiante ne doivent être travaillés que par des personnes qualifiées.

**ATTENTION** Les poussières de bois et les poussières de métaux légers peuvent causer une auto-inflammation ou une explosion.

Des mélanges chauds de poussières de ponçage contenant des résidus de vernis, de polyuréthane ou de produits chimiques dans le sac à poussières en papier ou dans le filtre de l'aspirateur peuvent s'enflammer dans

des conditions défavorables tels que projection d'étincelles lors du ponçage de métaux, soleil direct permanent ou température ambiante élevée. Pour prévenir ces conditions :

- Éviter la surchauffe des matériaux usinés et de l'outil électrique.
- Vider le bac de récupération des poussières à temps.
- Respecter les indications de travail du fabricant du matériau.
- Respecter les règlements spécifiques aux matériaux à traiter en vigueur dans votre pays.

## Vibrations mains-bras.

**AVERTISSEMENT** Des vibrations mains-bras sont générées lors du travail avec cet outil électrique. Celles-ci peuvent entraîner des effets néfastes sur la santé.

**AVERTISSEMENT** La valeur réelle des vibrations lors de l'utilisation de l'outil électrique peut dévier des valeurs indiquées, en fonction de l'utilisation de l'outil électrique.

**AVERTISSEMENT** Pour protéger l'opérateur, des mesures de sécurité doivent être déterminées sur la base de la sollicitation vibratoire estimée pendant l'utilisation effective.

Le niveau d'oscillation indiqué dans ces instructions d'utilisation a été mesuré conformément à la norme EN 62841 et peut être utilisé pour une comparaison d'outils électriques. Il est également approprié pour une estimation préliminaire de la charge vibratoire.

Le niveau d'oscillation correspond aux utili-

**Valeurs d'émission pour niveau sonore et vibration** (Indication à deux chiffres conformément à la norme ISO 4871)

### Émission acoustique

Mesure réelle (A) du niveau de pression acoustique sur le lieu de travail  $L_{pA}$  (re 20  $\mu\text{Pa}$ ), en décibel

Incertitude  $K_{pA}$ , en décibel

Mesure réelle (A) du niveau d'intensité acoustique pondéré  $L_{WA}$  (re 1  $\text{pW}$ ), en décibel

Incertitude  $K_{WA}$ , en décibel

Mesure réelle (C) du niveau max. de pression acoustique sur le lieu de travail  $L_{pCpeak}$  en décibel

Incertitude  $K_{pCpeak}$  en décibel

### Vibration

Accélération réelle mesurée, en

-  $\text{m/s}^2$

-  $\text{ft/s}^2$

Incertitude  $K$ , en

-  $\text{m/s}^2$

-  $\text{ft/s}^2$

sations principales de l'outil électroportatif. Si l'outil électrique est cependant utilisé pour d'autres applications, avec d'autres outils de travail ou avec un entretien non approprié, le niveau d'oscillation peut être différent. Ceci peut augmenter considérablement la sollicitation vibratoire pendant toute la durée de travail.

Pour une estimation précise de la sollicitation vibratoire, il est recommandé de prendre aussi en considération les espaces de temps pendant lesquels l'appareil est éteint ou en marche, mais pas vraiment utilisé. Ceci peut réduire considérablement la sollicitation vibratoire pendant toute la durée de travail.

Déterminez des mesures de protection supplémentaires pour protéger l'utilisateur des effets des vibrations, telles que par exemple : Entretien de l'outil électrique et des outils de travail, maintenir les mains chaudes, organisation des opérations de travail.

### RS17-70E (\*\*)

94.1

3.0

102.3

3.0

107.9

3.0

5,9

19,4

1,5

4,9

**REMARQUE** : La somme de la valeur d'émission mesurée et de l'incertitude constitue la limite supérieure des valeurs qui peuvent apparaître pendant la prise de mesures.

 Porter une protection acoustique !

Valeurs de mesure mesurées conformément à la norme correspondante du produit.

## Câble de rallonge.

**⚠ AVERTISSEMENT** Au cas où une rallonge serait nécessaire, la longueur ainsi que la section du conducteur de celle-ci doivent être appropriées à l'utilisation afin d'éviter une baisse de tension dans la rallonge, une perte de puissance et une surchauffe de l'outil électrique. Sinon la rallonge et l'outil électrique présentent des dangers électriques et l'efficacité du travail est entravée.

## Conception de l'outil électrique :

Ponceuse à bande pour tubes électroportative pour :

- le ponçage à bande à sec de surfaces métalliques de tuyaux
- le polissage de surfaces métalliques de tubes

à l'abri des intempéries avec les outils de travail et les accessoires autorisés par FEIN. Utilisation uniquement sur un sol stable.

L'outil électrique est conçu pour être utilisé par des spécialistes ; il n'est pas conçu pour une utilisation quotidienne permanente.

Cet outil électrique est également conçu pour fonctionner sur des groupes électrogènes d'une puissance suffisante correspondant à la norme ISO 8528, classe de modèle G2. Cette norme n'est pas respectée si le facteur de distorsion harmonique dépasse 10 %. En cas de doute, s'informer sur le groupe électrogène utilisé.

















Tout autre type d'utilisation est considéré comme non conforme à l'usage prévu. L'utilisateur assume lui seul toute responsabilité pour les dommages dus à une utilisation non conforme à la conception de l'appareil.

### Utilisation incorrecte prévisible

Afin de pouvoir utiliser l'outil électrique en toute sécurité et d'exclure toute utilisation incorrecte, ce qui suit est interdit :

- modifications arbitraires
- utilisation non conforme, notamment (mais pas exclusivement) le travail du bois, des matériaux minéraux, du magnésium, des matières plastiques, des matériaux composites renforcés de fibres
- non-respect des instructions d'utilisation

## Symboles.

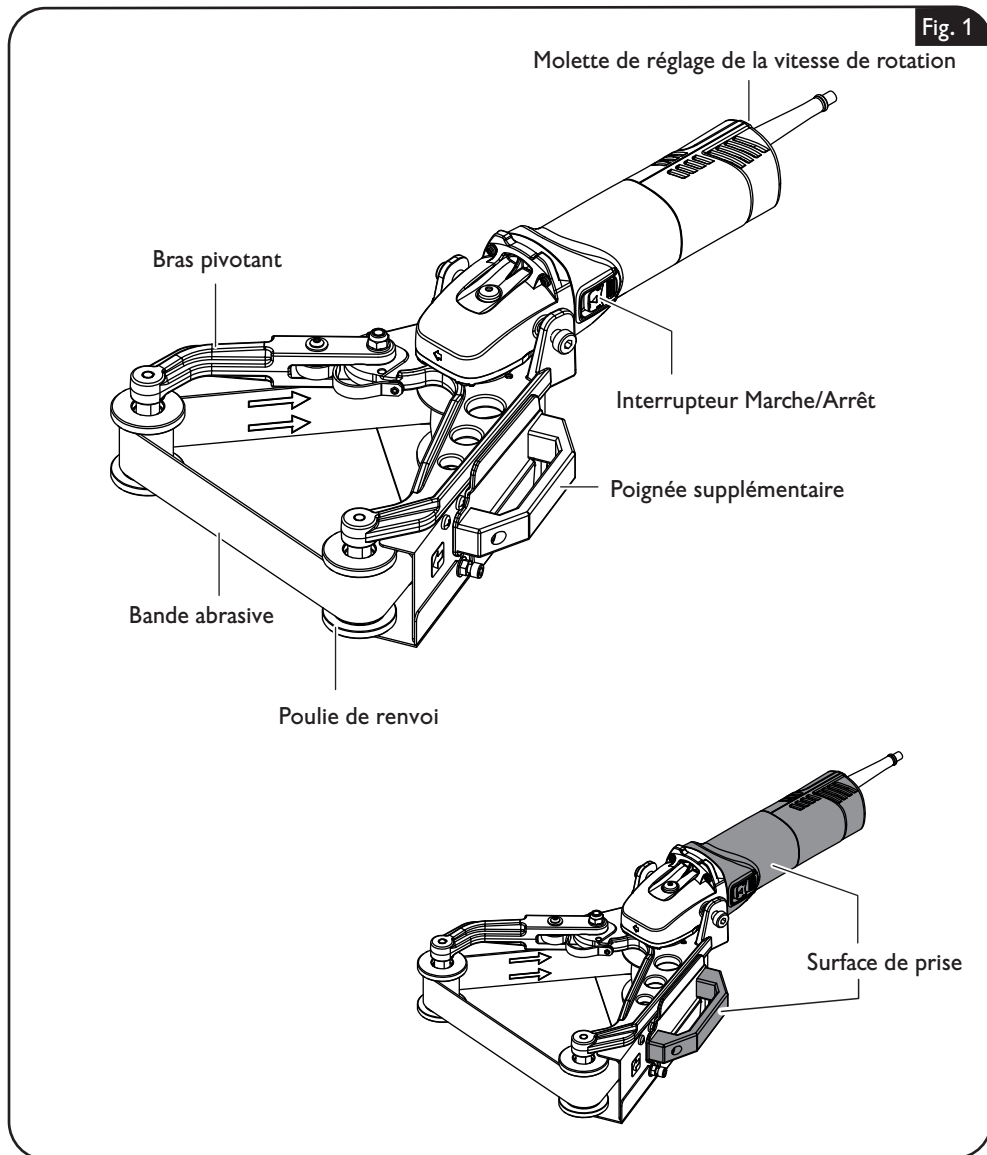
Symbole, signe	Explication
	Lire impérativement les documents ci-joints tels que la notice d'utilisation et les instructions générales de sécurité.
	Suivre les indications données dans le texte ou la représentation graphique ci-contre !
	Ne pas toucher les éléments en rotation de l'outil électrique.
	Avant d'effectuer ce travail, retirer la fiche de la prise de courant. Sinon, il y a risque de blessures dû à un démarrage non intentionné de l'outil électrique.
	Lors des travaux, porter une protection oculaire.
	Lors des travaux, porter une protection acoustique.
	Information supplémentaire.
	Ce symbole confirme la certification de ce produit aux États-Unis et au Canada.
	Cette indication met en garde contre une situation dangereuse imminente. Une mauvaise manipulation peut entraîner de graves blessures ou la mort.
	Cette indication indique une situation éventuellement dangereuse pouvant entraîner de graves blessures ou la mort.
	Cette indication met en garde contre une situation potentiellement dangereuse qui peut entraîner des blessures.
	Trier les outils électriques ainsi que tout autre produit électrotechnique et électrique et les déposer à un centre de recyclage respectant les directives relatives à la protection de l'environnement.
	Produit avec double isolation ou isolation renforcée
	Mise en fonctionnement
	Arrêt
	Bloqué
	Non bloqué
~ (a. c.)	Courant alternatif
	Petite vitesse de la bande abrasive
	Vitesse élevée de la bande abrasive
	Graisser si nécessaire
(**)	Peut contenir des chiffres ou des lettres
***	Partiellement fourni avec
(Ax - Zx)	Marquage interne

<b>Signe</b>	<b>Unité nationale</b>	<b>Explication</b>
$v_0$	ft/s	Vitesse de la bande de ponçage
$P$	W	Unité de mesure pour la puissance électrique
	°	Unité de mesure pour la largeur d'angle
$U$	V	Unité de mesure pour la tension électrique
$f$	Hz	Unité de mesure pour la fréquence
$I$	A	Unité de mesure pour l'intensité du courant électrique
$m$	lbs	Unité de mesure pour la masse
$l$	ft, in	Unité de mesure pour longueur, largeur, hauteur, profondeur, diamètre ou filetage
$\emptyset$	ft, in	Diamètre d'un élément
$K...$		Incertitude
$a$	$m/s^2$	Valeur d'émission vibratoire selon EN 62841 (somme vectorielle des trois directions)
	m, s, kg, A, mm, V, W, Hz, N, °C, dB, min, $m/s^2$	Unités de base et unités dérivées du système international <b>SI</b> .

## Description technique et spécification.

**⚠ AVERTISSEMENT** Avant de commencer les travaux de montage ou avant de changer les outils de travail et les accessoires, retirer la fiche de secteur. Cette mesure de sécurité préventive exclut un danger de blessure causé par un démarrage non intentionné de l'outil électrique.

Il se peut que seule une partie des accessoires décrits ou représentés dans cette notice d'utilisation soit fournie avec l'outil électrique.





<b>Type</b>	<b>RS17-70E (**)</b>
Référence	7 222 ...
Tension nominale	120 V, 60 Hz
Courant absorbé	13 A
Vitesse de la bande de ponçage	9 – 27 m/s 29 – 87,10 ft/s <sup>2</sup>
Longueur de la bande	32 in 815 mm
Largeur de la bande	25/32in – 1 37/64 in 20mm – 40 mm
Diamètre max. du tube	3 5/32 in 80 mm
Poids suivant EPTA-Procedure 01	9.5 lbs 4.3 kg
Classe de protection	□/II

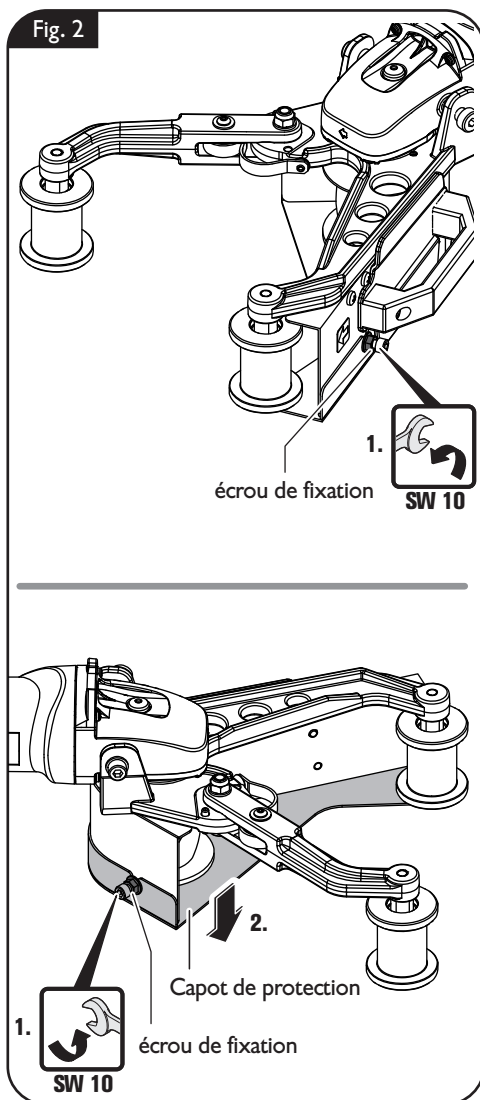
## Indications de montage.

**⚠ AVERTISSEMENT** Avant de commencer les travaux de montage ou avant de changer les outils de travail et les accessoires, retirer la fiche de secteur. Cette mesure de sécurité préventive exclut un danger de blessure causé par un démarrage non intentionné de l'outil électrique.

### Démontage du capot de protection (figure 2).

Desserrer les écrous de fixation des deux côtés.

Retirer le capot de protection vers le bas.



## Montage de la bande abrasive (figure 3).

Poser la bande abrasive sur la poulie d'entraînement et sur la poulie conductrice se trouvant sur le bras fixe.

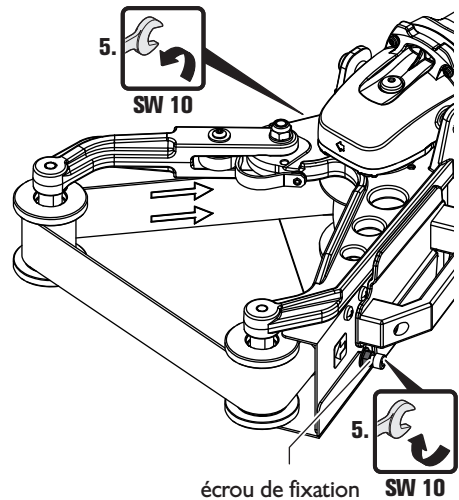
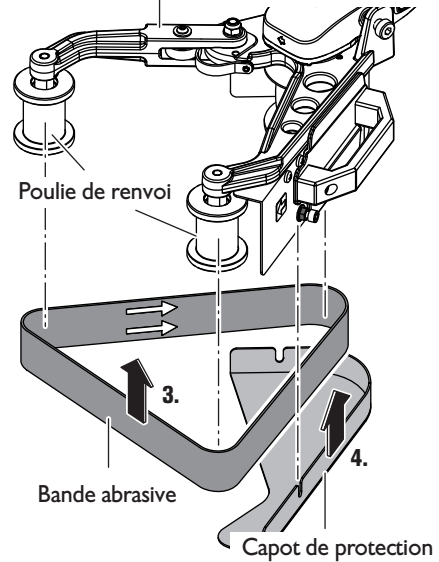
Pousser le bras mobile vers l'intérieur et poser la bande abrasive sur la poulie conductrice de celui-ci.

Pousser fortement le bras mobile vers l'extérieur afin de tendre la bande abrasive et de la rendre opérationnelle.

Remettre en place le capot de protection. Serrer les écrous de fixation des deux côtés. Effectuer un essai de 20 secondes env. avec la nouvelle bande abrasive.

**!** Veiller à ce que les flèches indiquant le sens et figurant sur la face intérieure de la bande abrasive coïncident avec le marquage sur le carter de l'outil électrique.

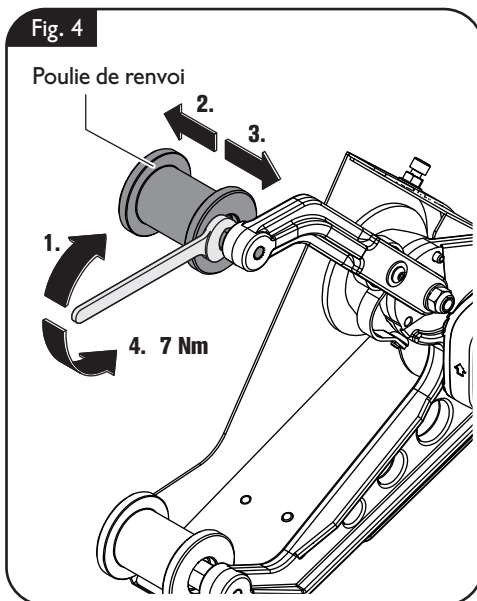
Fig. 3 Bras pivotant



## Montage de la poulie de renvoi (figure 4).

Desserrer les poulies à l'aide d'une clé plate et retirer la poulie.

Mettre la poulie en place et serrer les poulies à l'aide d'une clé plate.



## Indications pour le travail.

**⚠ AVERTISSEMENT** Avant de commencer les travaux de montage ou avant de changer les outils de travail et les accessoires, retirer la fiche de secteur. Cette mesure de sécurité préventive exclut un danger de blessure causé par un démarrage non intentionné de l'outil électrique.

**⚠ ATTENTION** N'utiliser que des outils de travail FEIN conçus et autorisés pour l'utilisation correspondante.

### Mise en fonctionnement/Arrêt (figure 5).

**⚠ AVERTISSEMENT** S'assurer que le câble de raccordement et la fiche sont en parfait état.

**⚠ ATTENTION** Toujours bien tenir l'outil électrique. Vous risquez sinon de perdre le contrôle de l'outil électrique.

#### Mise en fonctionnement :

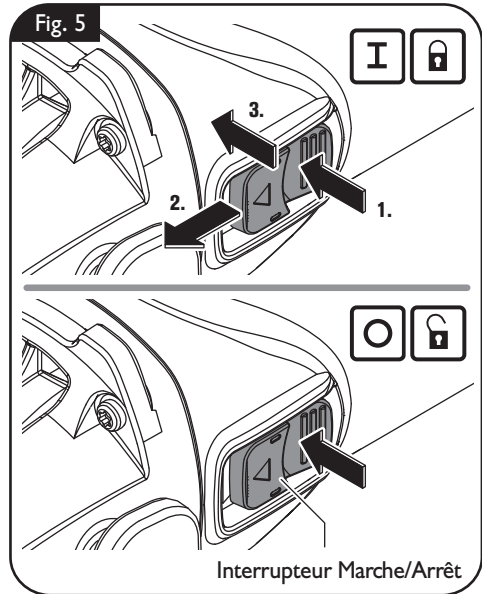
Appuyer sur l'interrupteur Marche / Arrêt situé sur la surface nervurée et le faire glisser vers l'avant.

#### Blocage :

pour verrouiller, pousser la partie avant de l'interrupteur Marche / Arrêt vers le bas.

#### Arrêt :

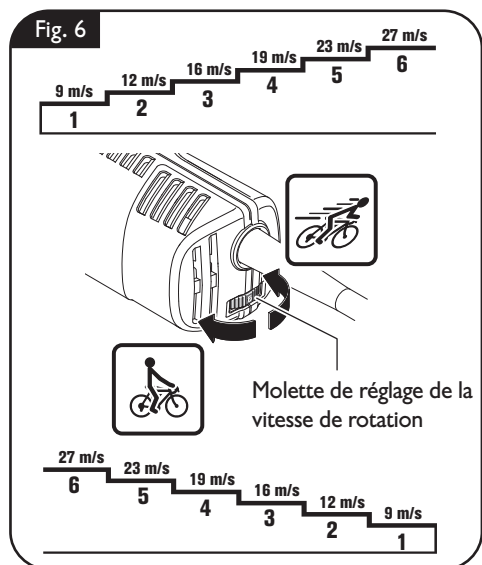
pousser la partie arrière de l'interrupteur Marche / Arrêt vers le bas.



### Réglage de la vitesse de la bande abrasive (figure 6).

Il est possible de régler en continu la vitesse de la bande abrasive dans la plage indiquée sur la figure suivante.

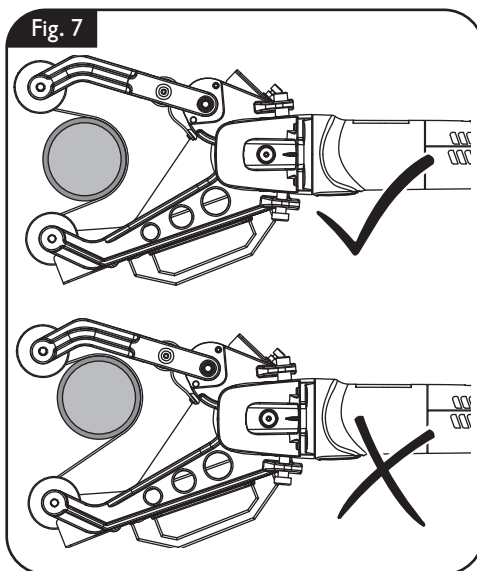
Tourner la molette de réglage entre « 1 » pour la vitesse de bande la plus basse et « 6 » pour la vitesse la plus élevée.



## Traitement des tubes (figures 7 – 8).

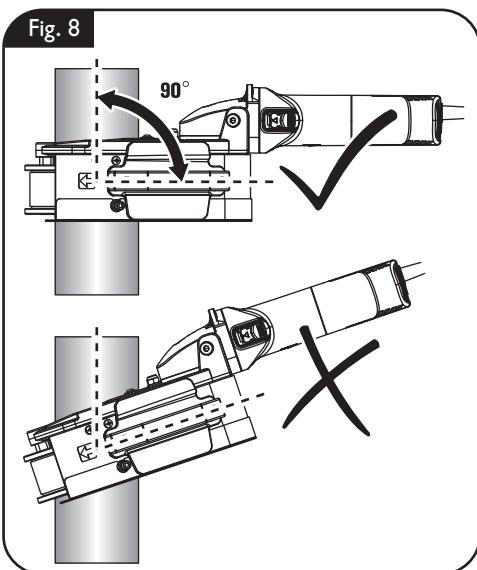
❗ De fortes vibrations de l'outil électrique peuvent indiquer un défaut. L'outil électrique doit être contrôlé.

Approcher l'outil électrique avec la bande abrasive du tube à polir jusqu'à ce que le tube soit serré d'environ la moitié par la bande abrasive.



Tenir l'outil électrique toujours des deux mains et perpendiculairement au tube, même dans les coudes.

Polir le tube en effectuant un mouvement longitudinal régulier.



## Équipement

Le **dispositif de protection contre un démarrage intempestif** empêche l'outil électrique de redémarrer automatiquement si l'alimentation électrique a été coupée pendant le fonctionnement. Dans un tel cas, arrêter l'outil électrique, vérifier l'alimentation électrique et remettre l'outil électrique en marche.

La **présélection électronique de la vitesse de rotation** permet d'adapter la vitesse à l'application et à l'outil de travail utilisé.

## Travaux d'entretien et service après-vente.

**⚠ AVERTISSEMENT** Avant de commencer les travaux de montage ou avant de changer les outils de travail et les accessoires, retirer la fiche de secteur. Cette mesure de sécurité préventive exclut un danger de blessure causé par un démarrage non intentionné de l'outil électrique.

### Pièces remplaçables.

Si nécessaire, il est possible de remplacer soi-même les éléments suivants :

Bande abrasive, poulies de renvoi

### Service après-vente.

**⚠ AVERTISSEMENT** Ne faire effectuer les travaux d'entretien que par des personnes qualifiées. Les câbles et éléments mal montés peuvent présenter des risques graves. Ne faire effectuer le service d'entretien nécessaire que par une station de service après-vente FEIN.

Remplacer les étiquettes et avertissements sur l'outil électrique en cas de vieillissement ou d'usure.

Les produits ayant été en contact avec de l'amiante ne doivent pas être réparés. Éliminer les produits contaminés par l'amiante conformément aux dispositions nationales relatives à l'élimination de déchets contenant de l'amiante.

Si le câble d'alimentation de l'outil électrique est endommagé, le faire remplacer par le fabricant ou son représentant.

Pour tout outil électrique ou accessoire FEIN nécessitant une réparation, veuillez consulter votre service client FEIN. Vous trouverez l'adresse sur le site Internet [www.fein.com](http://www.fein.com).

N'utiliser que des pièces de rechange d'origine.

Vous trouverez la liste actuelle des pièces de rechange pour cet outil électrique sur notre site [www.fein.com](http://www.fein.com).

### Nettoyage.

**⚠ AVERTISSEMENT** Afin d'éviter des accidents, débrancher l'outil électrique de l'alimentation en courant avant d'effectuer un nettoyage ou des travaux d'entretien ou de maintenance.

**⚠ AVERTISSEMENT** S'il y a de la poussière conductrice dans l'air lors de l'utilisation de l'outil, p. ex. lors du traitement de métaux, cette poussière peut se déposer à l'intérieur de l'outil électrique. La double isolation de l'outil électrique peut ainsi être endommagée. A cet effet, souffler régulièrement de l'extérieur de l'air comprimé sec exempt d'huile dans l'intérieur de l'outil électrique à travers les ouïes de ventilation ; utiliser toujours une protection oculaire. Pour une protection supplémentaire, placer un dispositif à courant différentiel résiduel (RCD) en amont.

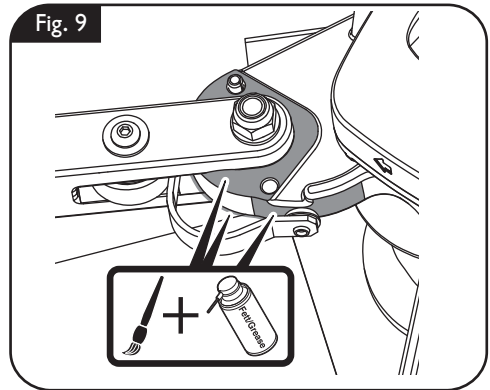
**⚠ ATTENTION** Ne pas essayer de nettoyer les orifices de ventilation à l'aide d'objets métalliques pointus ; utiliser des outils non-métalliques.

**⚠ ATTENTION** Ne pas utiliser de détergents ou de solvants qui peuvent endommager les parties en matière plastique. Par exemple : l'essence, le tétrachlorure de carbone, solvants chlorés, l'ammoniaque et produits de nettoyage domestiques contenant de l'ammoniaque.



## Nettoyer et lubrifier le bras de serrage (figure 9).

Nettoyer et lubrifier la surface de glissement du bras de serrage si nécessaire.



## Garantie.

La garantie du produit est valide conformément à la réglementation légale en vigueur dans le pays où le produit est mis sur le marché. Outre les obligations de garantie légale, les appareils FEIN sont garantis conformément à notre déclaration de garantie de fabricant.

Il se peut que seule une partie des accessoires décrits ou représentés dans cette notice d'utilisation soit fournie avec l'outil électrique.

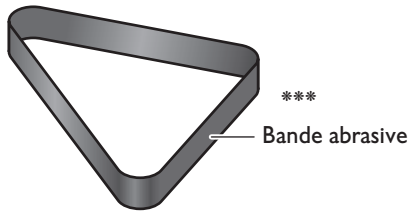
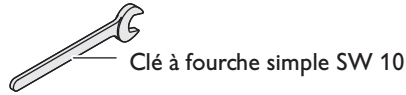
## Protection de l'environnement, recyclage.

Rapporter les emballages, les outils électriques hors d'usage et les accessoires dans un centre de recyclage respectant les directives concernant la protection de l'environnement.

En règle générale, les bandes abrasives doivent, en raison de leurs composants et de leurs propriétés, être éliminées de manière appropriée en tant que déchets dangereux conformément aux prescriptions régionales en matière d'élimination.

## Accessoires fournis (figure 10).

Fig. 10



### Sélection des accessoires

N'utiliser que des accessoires d'origine FEIN. L'accessoire doit être approprié au type d'outil électrique.

- Bande abrasive / non tissée ISO 2976 - 40 x 815
- Bande abrasive / non tissée ISO 2976 - 20 x 815
- Poulie de renvoi avec collet
- Poulie de renvoi sans collet

## Para su seguridad.

**⚠ ADVERTENCIA** Lea íntegramente las advertencias de peligro, las instrucciones, las ilustraciones y las especificaciones entregadas con esta herramienta eléctrica. En caso de no atenerse a las instrucciones siguientes, ello puede ocasionar una descarga eléctrica, un incendio y/o una lesión grave.

**Guardar todas las advertencias de peligro e instrucciones para futuras consultas.**

**👉** No utilice esta herramienta eléctrica sin haber leído antes con detenimiento y haber entendido por completo estas instrucciones de uso, inclusive las ilustraciones, especificaciones, reglas de seguridad, así como las indicaciones identificadas con PELIGRO, ADVERTENCIA y PRECAUCIÓN. Solamente use esta herramienta eléctrica para realizar los trabajos que FEIN ha previsto para la misma. Únicamente utilice las herramientas y accesorios autorizados por FEIN.

Observe también las respectivas prescripciones contra accidentes de trabajo vigentes en su país.

En caso de no atenerse a las instrucciones de seguridad mencionadas en la documentación previamente citada, ello puede provocar una electrocución, incendio y/o lesión grave.

Guarde estas instrucciones de uso para posteriores consultas y entréguelas al usuario en caso de prestar o vender la máquina. **GUARDAR ESTAS INSTRUCCIONES EN UN LUGAR SEGURO.**

El término “herramienta eléctrica” empleado en las siguientes instrucciones de seguridad se refiere a herramientas eléctricas de conexión a la red (con línea) y a herramientas eléctricas accionadas por batería (o sea, sin línea).

## Instrucciones generales de seguridad.

### 1) Seguridad del puesto de trabajo

- a) **Mantenga limpio y bien iluminado su puesto de trabajo.** El desorden o una iluminación deficiente en las áreas de trabajo pueden provocar accidentes.

b) **No utilice la herramienta eléctrica en un entorno con peligro de explosión, en el que se encuentren combustibles líquidos, gases o material en polvo.** Las herramientas eléctricas producen chispas que pueden llegar a inflamar los materiales en polvo o vapores.

c) **Mantenga alejados a los niños y otras personas de su puesto de trabajo al emplear la herramienta eléctrica.** Una distracción le puede hacer perder el control sobre la herramienta eléctrica.

### 2) Seguridad eléctrica

a) **El enchufe de la herramienta eléctrica debe corresponder a la toma de corriente utilizada. No es admisible modificar el enchufe en forma alguna. No emplear adaptadores en herramientas eléctricas dotadas con una toma de tierra.** Los enchufes sin modificar adecuados a las respectivas tomas de corriente reducen el riesgo de una descarga eléctrica.

b) **Evite que su cuerpo toque partes conectadas a tierra como tuberías, radiadores, cocinas y refrigeradores.** El riesgo a quedar expuesto a una sacudida eléctrica es mayor si su cuerpo tiene contacto con tierra.

c) **No exponga la herramienta eléctrica a la lluvia y evite que penetren líquidos en su interior.** Existe el peligro de recibir una descarga eléctrica si penetran ciertos líquidos en la herramienta eléctrica.

d) **No utilice el cable de red para transportar o colgar la herramienta eléctrica, ni tire de él para sacar el enchufe de la toma de corriente. Mantenga el cable de red alejado del calor, aceite, esquinas cortantes o piezas móviles.** Los cables de red dañados o enredados pueden provocar una descarga eléctrica.

- e) **Al trabajar con la herramienta eléctrica a la intemperie utilice solamente cables de prolongación apropiados para su uso en exteriores.** La utilización de un cable de prolongación adecuado para su uso en exteriores reduce el riesgo de una descarga eléctrica.
- f) **Si fuese imprescindible utilizar la herramienta eléctrica en un entorno húmedo, es necesario conectarla a través de un fusible diferencial.** La aplicación de un fusible diferencial reduce el riesgo a exponerse a una descarga eléctrica.
- 3) **Seguridad de personas**
- a) **Esté atento a lo que hace y emplee la herramienta eléctrica con prudencia. No utilice la herramienta eléctrica si estuviese cansado, ni tampoco después de haber consumido alcohol, drogas o medicamentos.** El no estar atento durante el uso de la herramienta eléctrica puede provocarle serias lesiones.
- b) **Utilice un equipo de protección personal y en todo caso unas gafas de protección.** El riesgo a lesionarse se reduce considerablemente si, dependiendo del tipo y la aplicación de la herramienta eléctrica empleada, se utiliza un equipo de protección adecuado como una mascarilla antipolvo, zapatos de seguridad con suela antideslizante, casco, o protectores auditivos.
- c) **Evite una puesta en marcha fortuita. Asegurarse de que la herramienta eléctrica esté desconectada antes de conectarla a la toma de corriente y/o al montar el acumulador, al recogerla, y al transportarla.** Si transporta la herramienta eléctrica sujetándola por el interruptor de conexión/desconexión, o si alimenta la herramienta eléctrica estando ésta conectada, ello puede dar lugar a un accidente.
- d) **Retire las herramientas de ajuste o llaves fijas antes de conectar la herramienta eléctrica.** Una herramienta de ajuste o llave fija colocada en una pieza rotante puede producir lesiones al poner a funcionar la herramienta eléctrica.
- e) **Evite posturas arriesgadas. Trabaje sobre una base firme y mantenga el equilibrio en todo momento.** Ello le permitirá controlar mejor la herramienta eléctrica en caso de presentarse una situación inesperada.
- f) **Lleve puesta una vestimenta de trabajo adecuada. No utilice vestimenta amplia ni joyas. Mantenga su pelo y vestimenta alejados de las piezas móviles.** La vestimenta suelta, el pelo largo y las joyas se pueden enganchar con las piezas en movimiento.
- g) **Siempre que sea posible utilizar unos equipos de aspiración o captación de polvo, asegúrese que éstos estén montados y que sean utilizados correctamente.** El empleo de estos equipos reduce los riesgos derivados del polvo.
- h) **No permita que la familiaridad ganada por el uso frecuente de la herramienta eléctrica lo deje creerse seguro e ignorar las normas de seguridad.** Una acción negligente puede causar lesiones graves en una fracción de segundo.
- 4) **Uso y trato cuidadoso de herramientas eléctricas**
- a) **No sobrecargue la herramienta eléctrica. Use la herramienta eléctrica prevista para el trabajo a realizar.** Con la herramienta eléctrica adecuada podrá trabajar mejor y más seguro dentro del margen de potencia indicado.
- b) **No utilice herramientas eléctricas con un interruptor defectuoso.** Las herramientas eléctricas que no se puedan conectar o desconectar son peligrosas y deben hacerse reparar.
- c) **Saque el enchufe de la red y/o retire el acumulador desmontable de la herramienta eléctrica, antes de realizar un ajuste, cambiar de accesorio o al guardar la herramienta eléctrica.** Esta medida preventiva reduce el riesgo a conectar accidentalmente la herramienta eléctrica.

- d) Guarde las herramientas eléctricas fuera del alcance de los niños. No permita la utilización de la herramienta eléctrica a aquellas personas que no estén familiarizadas con su uso o que no hayan leído estas instrucciones.** Las herramientas eléctricas utilizadas por personas inexpertas son peligrosas.
- e) Cuide la herramienta eléctrica y los accesorios con esmero. Controle si funcionan correctamente, sin atasarse, las partes móviles de la herramienta eléctrica, y si existen partes rotas o deterioradas que pudieran afectar al funcionamiento de la herramienta eléctrica. Haga reparar estas piezas defectuosas antes de volver a utilizar la herramienta eléctrica.** Muchos de los accidentes se deben a herramientas eléctricas con un mantenimiento deficiente.
- f) Mantenga los útiles limpios y afilados.** Los útiles mantenidos correctamente se dejan guiar y controlar mejor.
- g) Utilice la herramienta eléctrica, accesorios, útiles, etc. de acuerdo a estas instrucciones, considerando en ello las condiciones de trabajo y la tarea a realizar.** El uso de herramientas eléctricas para trabajos diferentes de aquellos para los que han sido concebidas puede resultar peligroso.
- h) Mantenga las empuñaduras y las superficies de las empuñaduras secas, limpias y libres de aceite y grasa.** Las empuñaduras y las superficies de las empuñaduras resbaladizas no permiten un manejo y control seguro de la herramienta eléctrica en situaciones imprevistas.

## 5) Servicio

- a) Únicamente haga reparar su herramienta eléctrica por un profesional, empleando exclusivamente piezas de repuesto originales.** Solamente así se mantiene la seguridad de la herramienta eléctrica.
- b) No repare los acumuladores dañados.** El entretenimiento de los acumuladores sólo debe ser realizado por el fabricante o un servicio técnico autorizado.

## Instrucciones de seguridad especiales.

### Instrucciones de seguridad especiales.

**Sujete la herramienta eléctrica por las áreas de agarre aisladas, ya que la cinta de lija podría llegar a dañar el propio cable de poder.** Al dañarse una línea bajo tensión puede que las partes metálicas del aparato le provoquen una descarga eléctrica.

**Al trabajar no emplee ropa holgada, ni joyas, ni lleve suelto el pelo, si lo tiene largo.** A pesar de los dispositivos de protección, es posible que los objetos sueltos sean jalados o arrastrados por las piezas en movimiento, provocando un accidente.

**No emplee cintas de lija desgastadas, rasgadas ni muy embazadas. Trate cuidadosamente las cintas de lija y guárdelas siguiendo las instrucciones del fabricante. ¡No doble las cintas de lija!** Las cintas de lija dañadas pueden rasgarse y salir proyectadas pudiendo causar un accidente.

**Asegure la pieza de trabajo.** Una pieza de trabajo queda sujeta de forma mucho más segura con un dispositivo de fijación que con la mano.

**Sujete firmemente la herramienta eléctrica.** Pueden presentarse súbitamente unos altos pares de reacción.

**Esta prohibido fijar rótulos o señales a la herramienta eléctrica con tornillos o remaches.** Un aislamiento dañado no le protege de una electrocución.

**No use accesorios que no hayan sido especialmente desarrollados u homologados por el fabricante de la herramienta eléctrica.** El mero hecho de que sea montable un accesorio en su herramienta eléctrica no es garantía de que su funcionamiento sea seguro.

**Limpie periódicamente las rejillas de refrigeración de la herramienta eléctrica empleando herramientas que no sean de metal.** El ventilador del motor aspira polvo hacia el interior de la carcasa. En caso de acumularse polvo de metal en exceso, ello puede provocar al usuario una descarga eléctrica.

### Instrucciones de seguridad adicionales

**No dirija la herramienta eléctrica contra Ud., contra otras personas, ni contra animales.** Podría accidentarse con las bandas de lija abrasivas.

**Jamás deposite la herramienta eléctrica antes de que la cinta de lija se haya detenido por completo.** La cinta de lija en marcha puede llegar a tocar la base de apoyo y hacerle perder el control sobre la herramienta eléctrica.

**Jamás toque la cinta de lija en funcionamiento.** Peligro de accidente.

**Evite el contacto de su cuerpo con objetos conectados a tierra como tubos, calefactores, cocinas y refrigeradores. Existe un mayor riesgo de recibir una descarga eléctrica si su cuerpo está contactado a tierra.** Bajo ciertas condiciones puede ocurrir que los componentes de la máquina se carguen electrostáticamente.

**La superficie tratada se puede poner muy caliente.** No la toque con la mano.

**Utilice un equipo de protección personal. Dependiendo del trabajo a realizar use una careta, una protección para los ojos, o unas gafas de protección. Si procede, emplee una mascarilla antipolvo, protectores auditivos, guantes de protección o un mandil especial adecuado para protegerle de los pequeños fragmentos que pudieran salir proyectados al desprenderse del útil o pieza.** Las gafas de protección deberán ser indicadas para protegerle de los fragmentos que pudieran salir despedidos al trabajar. La mascarilla antipolvo o respiratoria deberá ser apta para filtrar las partículas producidas al trabajar. La exposición prolongada al ruido puede provocar sordera.

**¡Atención, peligro de incendio y explosión! Al lijar metales (p. ej. aluminio o magnesio) se produce polvo que puede llegar a incendiarse o explotar. No utilice la máquina cerca de materiales combustibles.** Las chispas producidas al trabajar pueden llegar a incendiar estos materiales.

### **Preste atención a que las chispas proyectadas no puedan dañar a ninguna persona.**

Retire los materiales combustibles que se encuentren cerca. Al lijar metales se proyectan chispas.

**Use un equipo de aspiración estacionario y sople con frecuencia las rejillas de refrigeración** En caso de trabajar metales bajo unas condiciones extremas puede llegar a depositarse polvo conductor de corriente en el interior de la herramienta eléctrica. Ello puede reducir la eficacia del aislamiento de protección de la herramienta eléctrica.

**Siempre utilice los dispositivos de protección que lleva la máquina. Los dispositivos de protección deberán estar montados firmemente en la máquina para alcanzar máxima seguridad.** Los dispositivos de seguridad tienen la misión de proteger al usuario de las partículas proyectadas al trabajar y del contacto accidental con la cinta de lija.

**Cuide que las personas en las inmediaciones se mantengan a suficiente distancia de la zona de trabajo. Toda persona que acceda a la zona de trabajo deberá utilizar un equipo de protección personal.** Podrían ser lesionadas, incluso fuera del área de trabajo inmediato, al salir proyectados fragmentos de la pieza de trabajo o del útil.

### **Tratamiento de materiales en polvo peligrosos.**

**⚠ ADVERTENCIA** Al trabajar con herramientas, p. ej., al lijar, pulir, serrar o realizar otros trabajos con arranque de material, los polvos que se producen pueden ser nocivos para la salud, autoinflamables o explosivos.

El contacto o inspiración de ciertos materiales en polvo puede provocar en el usuario, o en las personas circundantes, reacciones alérgicas y/o enfermedades respiratorias, cáncer, daños congénitos u otros trastornos reproductivos.

A continuación, indicamos algunos de estos materiales junto con los productos químicos que contienen, cuyo polvo producido al trabajar, puede ser nocivo para la salud:

- Amianto y materiales que contengan amianto;
- Pinturas que contengan plomo, ciertos tipos de madera como, p. ej., haya, encino y roble;

### **Mantenga la línea alejada de la cinta de lija.**

En caso de que Ud. pierda el control sobre el aparato, la línea se puede llegar a cortar o enredar y jalarle su mano o brazo contra la cinta de lija en funcionamiento.

**No deje funcionar la herramienta eléctrica mientras la transporta.** Podría lesionarse, si por un descuido, la cinta de lija llega a atrapar su ropa.

**Asegúrese de que la cinta de lija esté montada de acuerdo a las instrucciones del fabricante. Las cintas de lija montadas deberán girar sin rozar en ningún lado.** Las cintas de lija mal montadas se pueden soltar durante el trabajo y salir despedidas.

**No use la herramienta eléctrica con la manos mojadas o húmedas.**

**Antes de la puesta en marcha inspeccione si están dañados el cable de red y el enchufe.**

**Recomendación: Siempre opere la herramienta eléctrica a través de un interruptor diferencial (RCD) con una corriente de disparo máxima de 30 mA.**

- Minerales y metales;
- Partículas de sílice de ladrillo, concreto y demás materiales que contengan mineral;
- Los solventes que contienen ciertas pinturas;
- Arsénico, cromo y otros conservadores de la madera;
- Materiales para combatir parásitos en cascos de botes o barcos;
- Polvos de acero inoxidable, de metales y de metales no férricos.

Para que la exposición a estos materiales sea mínima:

- Utilice un equipo de aspiración apropiado para el polvo producido.
- Use equipos de protección personal como, por ejemplo, una mascarilla guardapolvo con un filtro de la clase P2.
- Observe que esté bien ventilado el puesto de trabajo.

El riesgo derivado de la inspiración de polvo depende de la frecuencia con la que se procesen estos materiales. Los materiales que contengan amianto solamente deberán ser procesados por especialistas.

**⚠ ATENCIÓN** El polvo de madera y el de aleaciones ligeras puede autoinflamarse o provocar una explosión.

Si en el saco filtrante o en el filtro del aspirador, el polvo caliente producido al lijar se mezcla con restos de pintura, poliuretano, u otras materias químicas, puede que ésta se autoincendie bajo condiciones desfavorables como, p. ej., el salto de chispas al lijar metales, la exposición permanente y directa al sol, o una temperatura ambiente elevada. Para prevenir esta situación:

- Evite que se sobrecalienten la pieza de trabajo y la herramienta eléctrica.
- Vacíe el depósito de polvo con suficiente antelación.
- Observe las instrucciones de elaboración del fabricante del material.
- Considere las prescripciones vigentes en su país sobre los materiales a trabajar.



## Vibraciones en la mano/brazo.

**⚠ ADVERTENCIA** Al trabajar con esta herramienta eléctrica se producen vibraciones en la mano y el brazo. Ello puede llegar a afectar su salud.

**⚠ ADVERTENCIA** Las vibraciones generadas durante la aplicación actual de la herramienta eléctrica puede ser diferente del valor indicado, según el modo en que sea utilizada la herramienta.

**⚠ ADVERTENCIA** Con el fin de proteger al usuario, es necesario fijar medidas de seguridad en base a una estimación de la exposición resultante bajo las condiciones de uso actuales.

El nivel de vibraciones indicado en estas instrucciones ha sido determinado según el procedimiento de medición fijado en la norma EN 62841 y puede servir como base de comparación con otras herramientas eléctricas. También es adecuado para estimar provisionalmente la sollicitación experimentada por las vibraciones.

El nivel de vibraciones indicado ha sido determinado para las aplicaciones principa-

**Emisión de ruidos y vibraciones** (indicación de dos cifras según ISO 4871)

### Emisión de ruido

Nivel de de presión sonora  $L_{pA}$  (re 20  $\mu\text{Pa}$ ), medido con filtro A en el puesto de trabajo, en decibelios

Inseguridad  $K_{pA}$ , en decibelios

Nivel de potencia acústica  $L_{wA}$  (re 1 pW), medido con filtro A, en decibelios

Inseguridad  $K_{wA}$ , en decibelios

Valor pico del nivel de presión sonora  $L_{pCpeak}$  medido con filtro C en el puesto de trabajo, en decibelios

Inseguridad  $K_{pCpeak}$ , en decibelios

### Vibración

Aceleración ponderada, en

-  $\text{m/s}^2$


-  $\text{ft/s}^2$

Inseguridad  $K$ , en

-  $\text{m/s}^2$

-  $\text{ft/s}^2$

**OBSERVACIÓN:** la suma de los valores emitidos medidos, considerando la inseguridad respectiva, representa el límite superior que puede alcanzarse en las mediciones.

 ¡Utilizar unos protectores acústicos!

Valores de medición determinados según normativa del producto pertinente.

les de la herramienta eléctrica. Por ello, el nivel de vibraciones puede ser diferente si la herramienta eléctrica se utiliza para otras aplicaciones, con útiles diferentes, o si el mantenimiento de la misma fuese deficiente. Ello puede suponer un aumento drástico de la sollicitación por vibraciones durante el tiempo total de trabajo.

Para determinar con exactitud la sollicitación experimentada por las vibraciones, es necesario considerar también aquellos tiempos en los que el aparato esté desconectado, o bien, esté en funcionamiento, pero sin ser utilizado realmente. Ello puede suponer una disminución drástica de la sollicitación por vibraciones durante el tiempo total de trabajo.

Fije unas medidas de seguridad adicionales para proteger al usuario de los efectos por vibraciones, como por ejemplo: Mantenimiento de la herramienta eléctrica y de los útiles, conservar calientes las manos, organización de las secuencias de trabajo.

### RS17-70E (\*\*)

94.1

3.0

102.3

3.0

107.9

3.0

5.9

19.4

1.5

4.9

## Extensiones.

**⚠ ADVERTENCIA** En caso de utilizar una extensión, la longitud y la sección de la línea deberá ser la correcta para el trabajo a realizar para evitar una caída de tensión en la línea, una reducción de la potencia, y el sobrecalentamiento de la herramienta eléctrica. De lo contrario, se presentan peligros de origen eléctrico en la extensión y en la herramienta eléctrica, además de reducirse sus prestaciones.

## Utilización reglamentaria de la herramienta eléctrica:

Lijadora de tubos portátil para:

- lijar en seco superficies de tubos metálicos con cintas de lija
- pulir superficies de tubos metálicos con útiles y accesorios homologados por FEIN, en lugares cubiertos.

Utilizar solamente sobre una base estable.

La herramienta eléctrica ha sido prevista para ser utilizada por personal especializado para su uso diario no permanente.

Esta herramienta eléctrica es apta además para ser utilizada con grupos electrógenos de alterna siempre que dispongan de suficiente potencia y cumplan los requisitos según norma ISO 8528 para la clase de ejecución G2. Deberá prestarse especial atención a no sobrepasar el coeficiente de distorsión máximo del 10 % establecido en dicha norma. En caso de duda consulte los datos del grupo utilizado por Ud.

Todo uso diferente del indicado es considerado no reglamentario.

















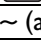


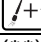
La responsabilidad por daños derivados de una utilización no reglamentaria corre a cargo exclusivo del usuario.

### Aplicación incorrecta previsible

Para trabajar de forma segura con la herramienta eléctrica y evitar aplicaciones incorrectas se prohíbe lo siguiente:

- transformaciones realizadas por cuenta propia
- uso diferente del previsto, en particular (pero no exclusivamente) el procesamiento de madera, materiales minerales, magnesio, plásticos, materiales compuestos de fibra
- incumplimiento de las instrucciones de manejo

## Simbología.

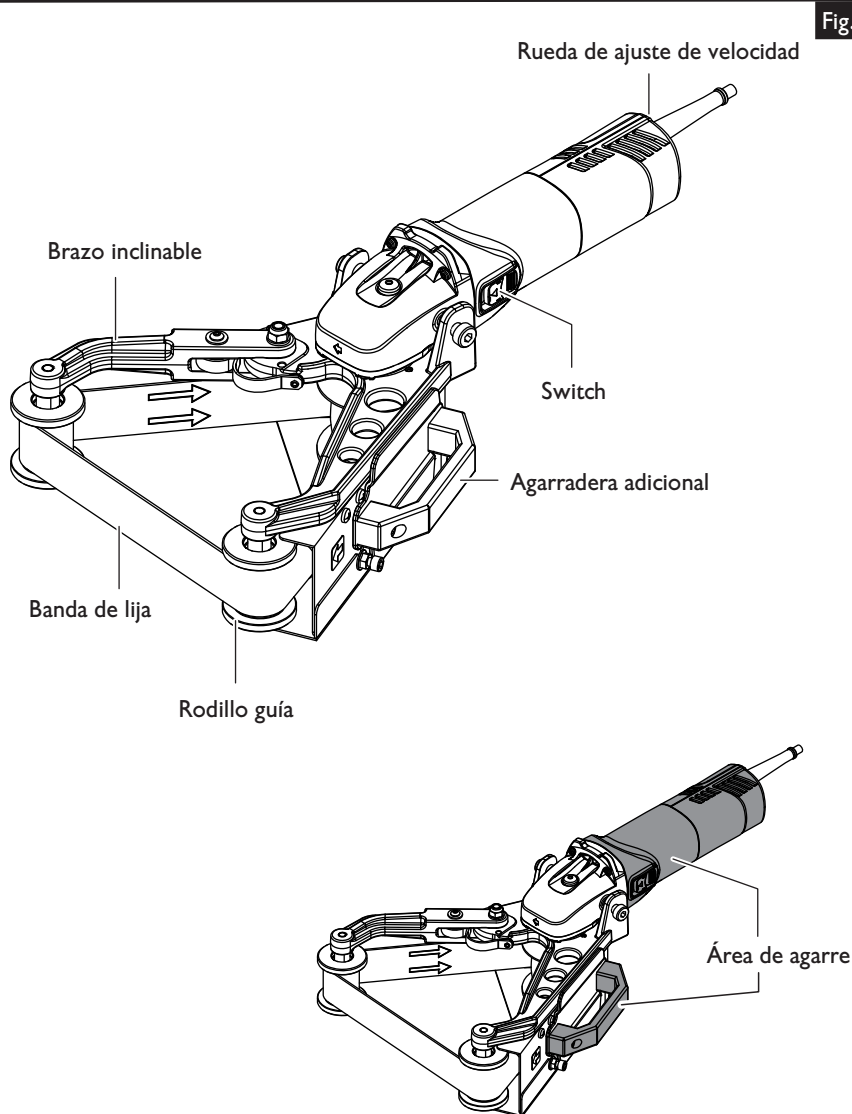
Símbolo	Definición
	Es imprescindible leer los documentos que se adjuntan, como las instrucciones de servicio y las instrucciones generales de seguridad.
	¡Seguir las instrucciones indicadas al margen!
	No tocar las piezas en rotación de la herramienta eléctrica.
	Antes de realizar el paso de trabajo descrito, sacar el enchufe de la red. En caso contrario, podría accidentarse al ponerse en marcha fortuitamente la herramienta eléctrica.
	Al trabajar protegerse los ojos.
	Al trabajar utilizar un protector acústico.
	Información complementaria.
	Este símbolo confirma que este producto ha sido certificado en USA y Canadá.
 PELIGRO	Este símbolo advierte sobre una situación peligrosa inminente. Un comportamiento incorrecto puede dar lugar a una lesión grave o incluso mortal.
 ADVERTENCIA	Este símbolo advierte sobre una situación peligrosa que puede comportar lesiones graves o mortales.
 ATENCIÓN	Este símbolo advierte sobre una situación peligrosa en la que pudiera lesionarse.
	Acumular por separado las herramientas eléctricas y demás productos electrotécnicos y eléctricos inservibles y someterlos a un reciclaje ecológico.
	Producto dotado con un aislamiento doble o reforzado
	Conexión
	Desconexión
	bloqueado
	desbloqueado
~ (a. c.)	Corriente alterna
	Baja velocidad de la cinta
	Alta velocidad de la cinta
	Engrasar las superficies de deslizamiento, según necesidad
(**)	Puede contener cifras o letras
***	equipamiento suministrado en parte
(Ax - Zx)	Identificación para fines internos

<b>Símbolo</b>	<b>Unidad nacional</b>	<b>Definición</b>
$v_0$	ft/s	Velocidad de la cinta de lija
$P$	W	Unidad de medida de la potencia
	°	Unidad de medida del ángulo
$U$	V	Unidad de medida de la tensión eléctrica
$f$	Hz	Unidad de medida de la frecuencia
$I$	A	Unidad de medida de la intensidad
$m$	lbs	Unidad de medida de la masa
$l$	ft, in	Unidad de medida para la longitud, ancho, altura, profundidad, diámetro o roscas
$\emptyset$	ft, in	Diámetro de una pieza redonda
$K...$		Incertidumbre
$a$	$m/s^2$	Nivel de vibraciones generadas según EN 62841 (suma vectorial de tres direcciones)
	m, s, kg, A, mm, V, W, Hz, N, °C, dB, min, $m/s^2$	Unidades básicas y unidades derivadas del sistema internacional de unidades <b>SI</b> .

## Descripción técnica y especificaciones.

**⚠ ADVERTENCIA** Saque la clavija del enchufe antes de montar o cambiar los útiles y accesorios. Esta medida de seguridad preventiva evita los accidentes que pudieran presentarse en caso de una puesta en marcha involuntaria.

El material de serie suministrado con su herramienta eléctrica puede que no corresponda en su totalidad al material descrito o mostrado en estas instrucciones de servicio.



<b>Tipo</b>	<b>RS17-70E (**)</b>
N° de referencia	7 222 ...
Tensión nominal	120 V, 60 Hz
Corriente absorbida	13 A
Velocidad de la cinta de lija	9–27 m/s 29–87,10 m/s <sup>2</sup>
Longitud de la cinta de lija	32 in 815 mm
Ancho de la cinta de lija	25/32 in–1 37/64 in 20 mm–40 mm
Diámetro máximo del tubo	3 5/32 in 80 mm
Peso según EPTA-Procedure 01	9.5 lbs 4.3 kg
Clase de protección	□/II

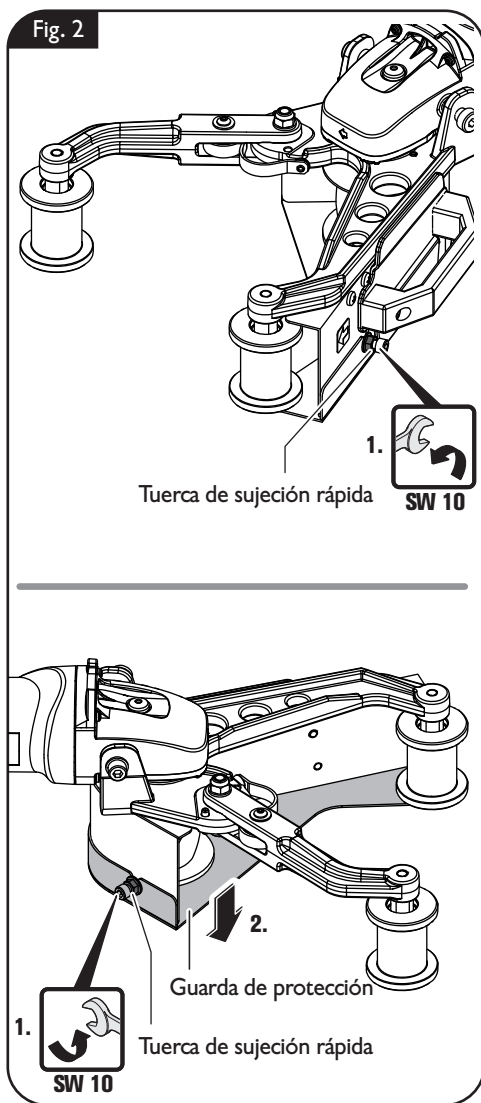
## Instrucciones de montaje.

**⚠ ADVERTENCIA** Saque la clavija del enchufe antes de montar o cambiar los útiles y accesorios. Esta medida de seguridad preventiva evita los accidentes que pudieran presentarse en caso de una puesta en marcha involuntaria.

### Desmontaje de la guarda de protección (Figura 2).

Afloje las tuercas de sujeción en los dos lados.

Saque hacia abajo la guarda de protección.



### Montaje de la cinta de lija (Figura 3).

Aloje la cinta de lija en el rodillo motriz y en el rodillo guía del brazo fijo.

Presione hacia adentro el brazo inclinable y aloje ahora la cinta de lija en el rodillo guía del mismo.

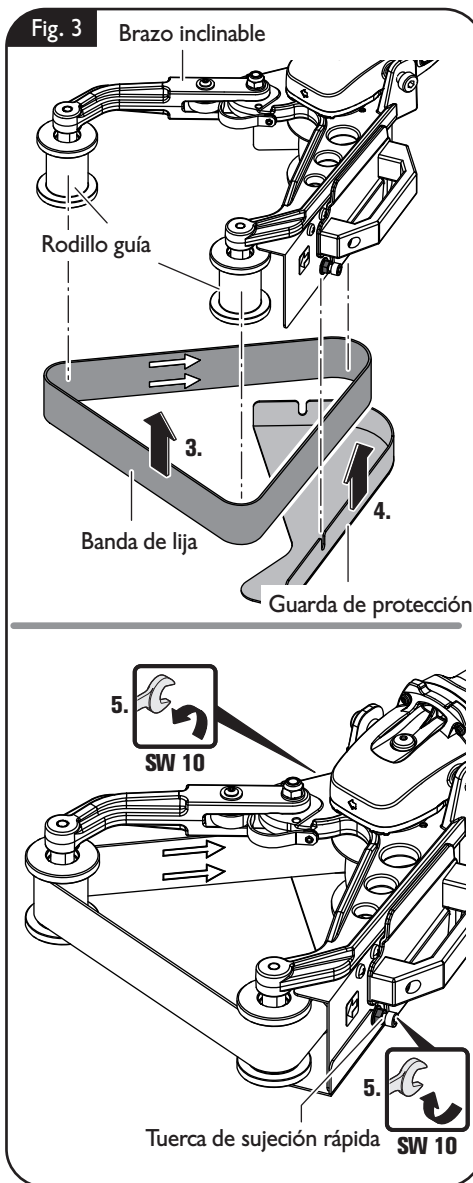
Presione con fuerza hacia afuera el brazo inclinable para tensar la cinta de lija y prepararla para su uso.

Monte de nuevo la guarda de protección.

Apriete las tuercas de sujeción en ambos lados.

Deje funcionar aprox. 20 segundos una cinta de lija nueva para comprobarla.

**!** Observe que la dirección de la flecha en la cara interior de la cinta de lija coincida con aquella marcada en la carcasa de la herramienta eléctrica.

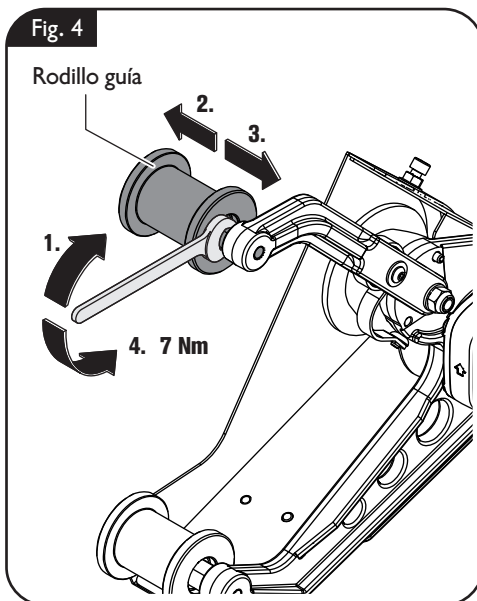




### Montaje del rodillo guía(Figura 4).

Afloje el rodillo guía con una llave fija y sáquelo.

Coloque el rodillo guía y apriételo con la llave fija



## Instrucciones para la operación.

**⚠ ADVERTENCIA** Saque la clavija del enchufe antes de montar o cambiar los útiles y accesorios. Esta medida de seguridad preventiva evita los accidentes que pudieran presentarse en caso de una puesta en marcha involuntaria.

**⚠ ATENCIÓN** Solamente use los útiles que FEIN haya previsto y autorizado para el trabajo que vaya a realizar.

### Conexión y desconexión (Figura 5).

**⚠ ADVERTENCIA** Asegúrese primeramente del perfecto estado de la línea y de la clavija.

**⚠ ATENCIÓN** Siempre sujete firmemente la herramienta eléctrica. En caso contrario podría perder el control sobre la herramienta eléctrica.

#### Conexión:

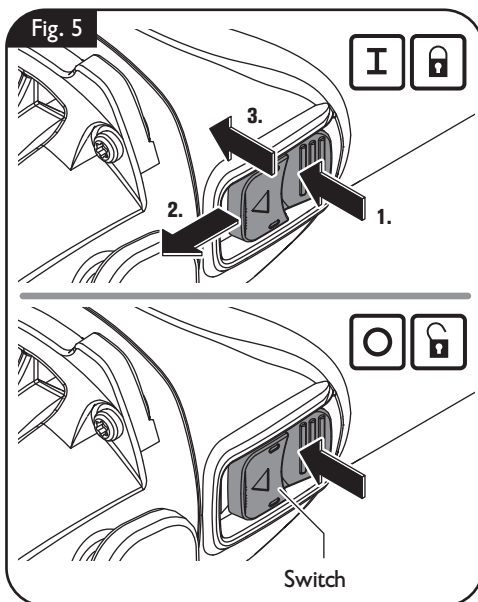
Presione hacia abajo la zona estriada del switch y empújelo entonces hacia adelante.

#### Retención:

Para bloquear el switch en esa posición presiónelo adelante hacia abajo.

#### Desconexión:

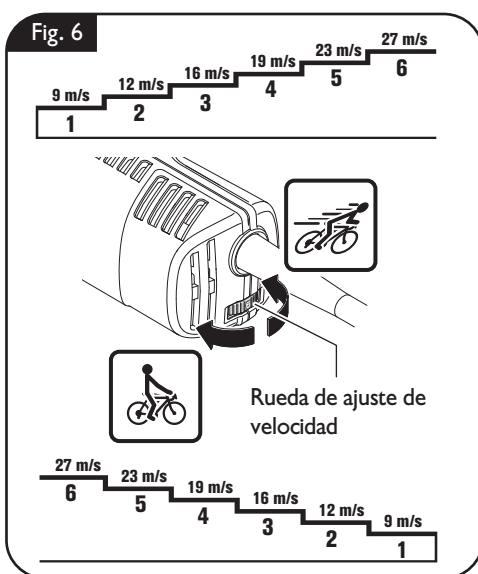
Presione hacia abajo el switch en la parte de atrás.



### Ajuste de la velocidad de la cinta (Figura 6).

La velocidad de la cinta puede variarse dentro del margen indicado en la siguiente figura.

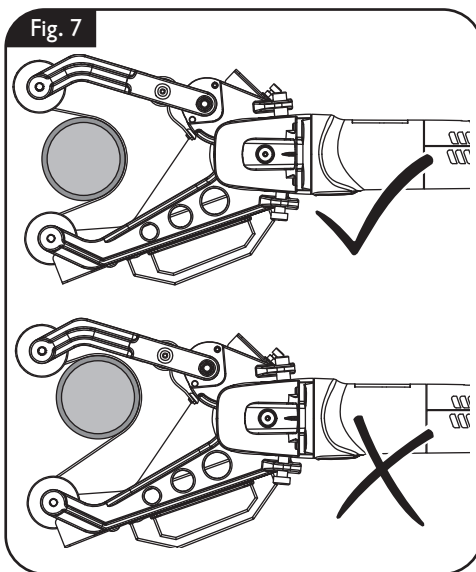
Seleccione con la rueda de ajuste una posición entre "1" (velocidad de la cinta mínima) y "6" (velocidad de la cinta máxima).



## Procesamiento de tubos (figuras 7– 8).

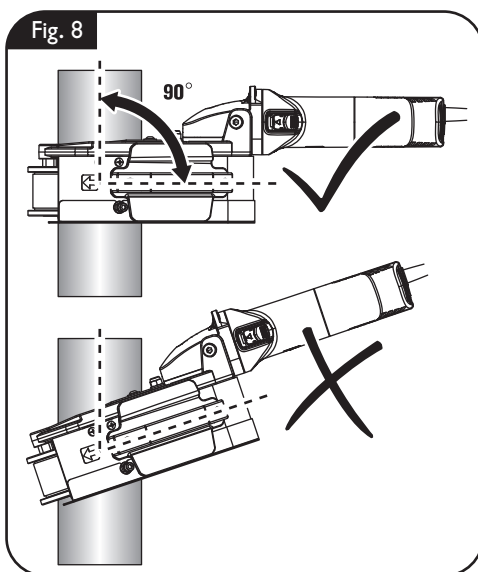
⚠ Las vibraciones fuertes en la herramienta eléctrica pueden ser indicio de un defecto. Es necesario examinar la herramienta eléctrica.

Aproxime la cinta de lija de la herramienta eléctrica al tubo a lijar de manera que la cinta de lija lo abrace hasta la mitad, aprox.



Siempre sujete la herramienta eléctrica con ambas manos y perpendicular al tubo, también al lijar codos.

Lije el tubo uniformemente con un movimiento continuo a lo largo del mismo.



## Equipamiento

La **protección contra re arranque** evita que la herramienta eléctrica se ponga a funcionar por sí sola si se ha cortado la tensión de alimentación durante su funcionamiento. En ese caso desconecte la herramienta eléctrica, controle la tensión de alimentación, y vuelva a conectar de nuevo la herramienta eléctrica.

La **preselección electrónica de la velocidad** permite adaptar la velocidad a la aplicación prevista y al útil utilizado.

## Reparación y servicio técnico.

**⚠ ADVERTENCIA** Saque la clavija del enchufe antes de montar o cambiar los útiles y accesorios. Esta medida de seguridad preventiva evita los accidentes que pudieran presentarse en caso de una puesta en marcha involuntaria.

### Piezas sustituibles.

Si fuese preciso, puede sustituir Ud. mismo las piezas siguientes:

Cinta de lija, rodillos de inversión

### Servicio técnico.

**⚠ ADVERTENCIA** Únicamente deje realizar los trabajos de mantenimiento por un profesional. Las líneas y componentes mal montados pueden suponer un grave peligro. Deje efectuar el servicio requerido por un servicio técnico FEIN.

Sustituya las etiquetas y las advertencias de peligro autoadhesivas en la herramienta eléctrica si ya no son legibles.

Los productos que hayan tenido contacto con asbesto no se harán reparar. Deseche los productos contaminados con asbesto de acuerdo a las prescripciones vigentes en su país sobre la eliminación de residuos que contengan asbesto.

En caso de que se dañe el cable de red de la herramienta eléctrica, éste deberá ser reemplazado por el fabricante o por su representante.

Diríjase a un servicio técnico FEIN si necesita reparar una herramienta eléctrica FEIN o un accesorio. La dirección la encuentra en internet bajo [www.fein.com](http://www.fein.com).

Solo emplee refacciones originales.

La lista de piezas de refacción actual para esta herramienta eléctrica la encuentra en internet bajo [www.fein.com](http://www.fein.com).

### Limpieza.

**⚠ ADVERTENCIA** Con el fin de evitar accidentes, saque de la alimentación la clavija de la herramienta eléctrica antes de realizar en la misma cualquier tipo de trabajo de limpieza o de mantenimiento.

**⚠ ADVERTENCIA** Si el aire ambiente contiene material en polvo conductor, p. ej., al trabajar metales, puede que este material llegue a depositarse en el interior de la herramienta eléctrica. Ello puede mermar la eficacia del aislamiento de protección de la herramienta eléctrica. Por ello, sople con regularidad desde afuera por las rejillas de refrigeración el interior de la herramienta eléctrica con aire comprimido seco y exento de aceite, utilizando en ello siempre una protección para los ojos. Intercale un interruptor diferencial (RCD) como medida de protección adicional.

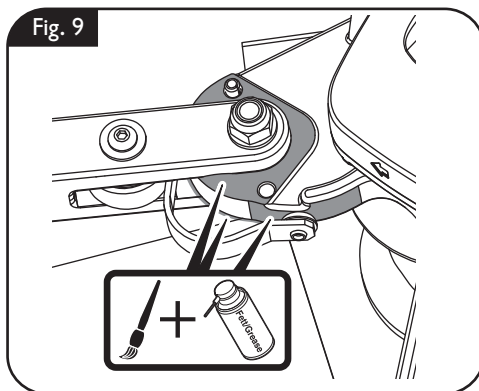
**⚠ ATENCIÓN** No intente limpiar las rejillas de refrigeración de la herramienta eléctrica con objetos metálicos en punta, emplee para ello objetos que no sean de metal.

**⚠ ATENCIÓN** No aplique agentes de limpieza ni disolventes que pudieran atacar a las piezas de plástico.

Algunos de estos agentes son: gasolina, tetracloruro de carbono, disolventes clorados, amoníaco y detergentes domésticos que contengan amoníaco.

## Limpieza y engrase del brazo tensor (Figura 9).

Si fuese necesario, limpie y engrase las superficies de deslizamiento del brazo tensor.



## Garantía.

La garantía del producto se realiza de acuerdo a las regulaciones legales vigentes en el país de adquisición. Adicionalmente, FEIN ofrece una garantía ampliada de acuerdo con la declaración de garantía del fabricante FEIN.

El material de serie suministrado con su herramienta eléctrica puede que no corresponda en su totalidad al material descrito o mostrado en estas instrucciones de servicio.

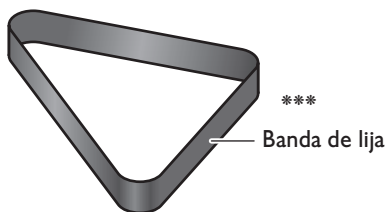
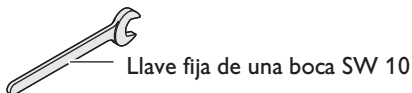
## Protección del medio ambiente, eliminación.

Los embalajes, y las herramientas eléctricas y accesorios inservibles deberán entregarse a los puntos de recogida correspondientes para que puedan ser sometidos a un reciclaje ecológico.

Por lo regular, debido a los materiales de que se compone y por sus propiedades, las cintas de lija se deberán desechar profesionalmente como residuos peligrosos conforme a las prescripciones nacionales.

## Accesorios incluidos en el suministro (Figura 10).

Fig. 10



### Accesorios disponibles

Únicamente utilice accesorios originales FEIN. Los accesorios deberán ser los apropiados para el tipo de herramienta eléctrica utilizado.

- Cinta de lija/cinta de vellón ISO 2976 - 40 x 815
- Cinta de lija/cinta de vellón ISO 2976 - 20 x 815
- Rodillo guía con reborde
- Rodillo guía sin reborde



**USA**

FEIN Power Tools, Inc.  
1000 Omega Drive  
Suite 1180  
Pittsburgh, PA 15205  
[www.feinus.com](http://www.feinus.com)

**Canada**

FEIN Canadian Power Tool Company  
323 Traders Boulevard East  
Mississauga, Ontario L4Z 2E5  
[www.fein.ca](http://www.fein.ca)

**FEIN Service**

FEIN Power Tools, Inc.  
2735 Hickory Grove Road  
Davenport, IA 52804  
[magdrillrepair@feinus.com](mailto:magdrillrepair@feinus.com)

**Headquarter**

C. & E. Fein GmbH  
Hans-Fein-Straße 81  
73529 Schwäbisch Gmünd-Bargau, Germany  
[www.fein.com](http://www.fein.com)

